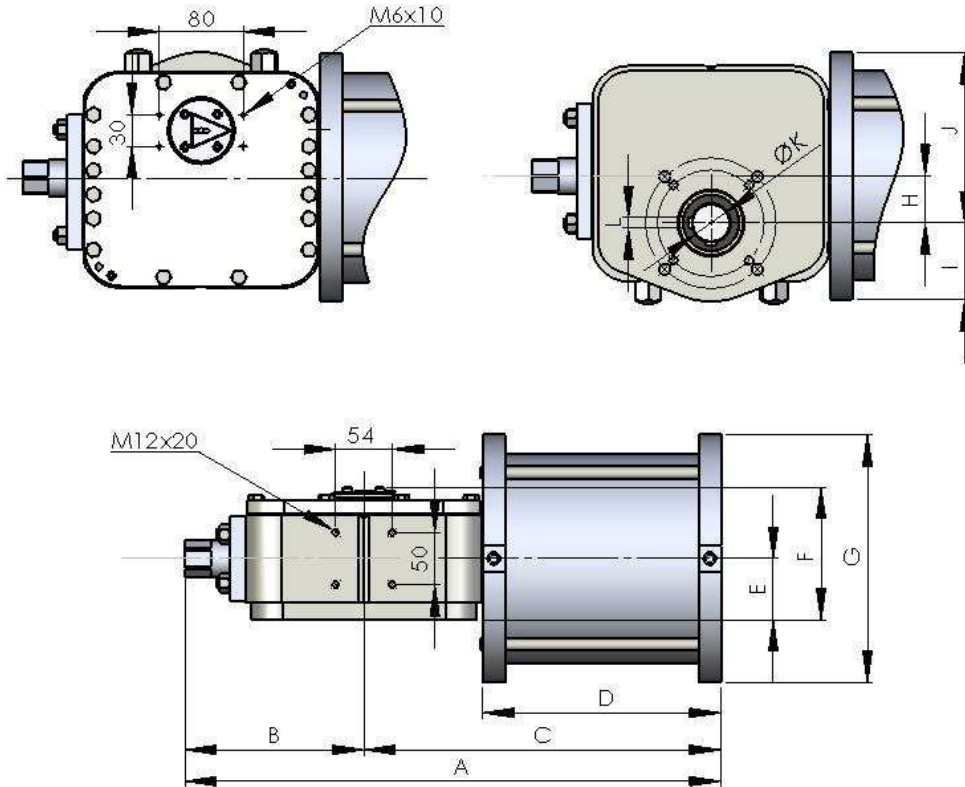




KSY-100 SCOTCH YOKE PNEUMATIC DOUBLE ACTING



Actuator Size	A	B	C	D	E	F	G	H	I	J	ØK	L
KSY-100-160	20.18	6.73	13.44	8.98	2.30	6.40	8.54	1.77	2.89	6.44	1.42	0.39
KSY-100-180	20.18	6.73	13.44	8.98	2.30	6.40	9.33	1.77	2.89	6.44	1.42	0.39
KSY-100-235	20.18	6.73	13.44	8.98	2.30	6.40	11.50	1.77	2.89	6.44	1.42	0.39

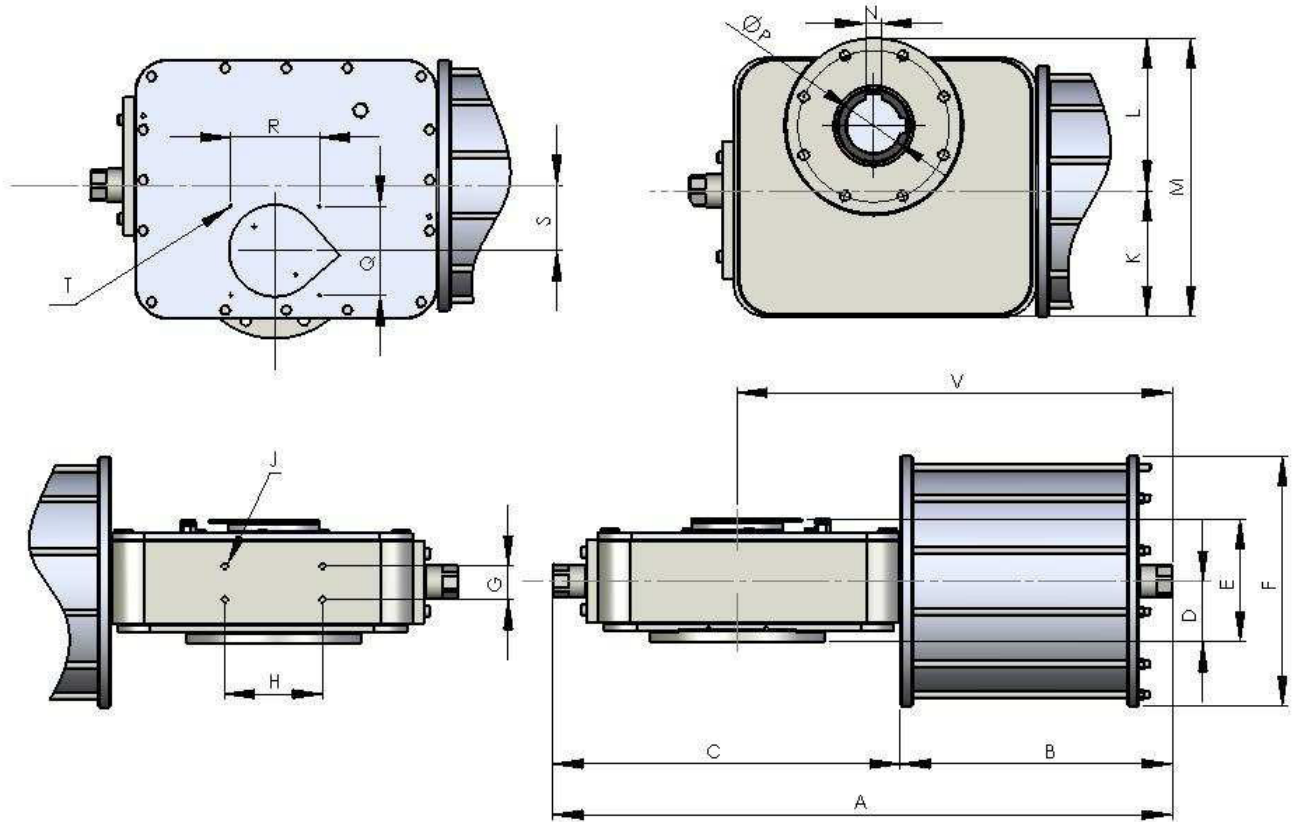
Actuator Size	ISO 5211	Air Connections	Weight (lbs.)	Air Volume (in ³)
KSY-100-160	F12	1/4" NPT	101	158.66
KSY-100-180	F12	1/4" NPT	121	201.38
KSY-100-235	F12	1/2" NPT	174	341.73

Notes:

1. All dimensions are in inches
2. All dimensions and weights are without mounting brackets
3. All weights are in pounds
4. Drawings are not scaled
5. Air volumes are in cubic inches



KSY-400 SCOTCH YOKE PNEUMATIC DOUBLE ACTING



Actuator Size	A	B	C	D	E	F	G	H	J	K	L	M	N	ØP	Q	R	S	T	V
KSY-400-235	28.70	12.99	15.71	3.01	5.87	11.42	2.36	6.93	M12X20	6.81	8.66	15.47	0.71	2.36	6.30	6.30	2.76	M6X10	20.51
KSY-400-280	28.70	12.99	15.71	3.01	5.87	13.39	2.36	6.93	M12X20	6.81	8.66	15.47	0.71	2.36	6.30	6.30	2.76	M6X10	20.51
KSY-400-335	28.70	12.99	15.71	3.01	5.87	15.75	2.36	6.93	M12X20	6.81	8.66	15.47	0.71	2.36	6.30	6.30	2.76	M6X10	20.51
KSY-400-385	28.70	12.99	15.71	3.01	5.87	17.72	2.36	6.93	M12X20	6.81	8.66	15.47	0.71	2.36	6.30	6.30	2.76	M6X10	20.51

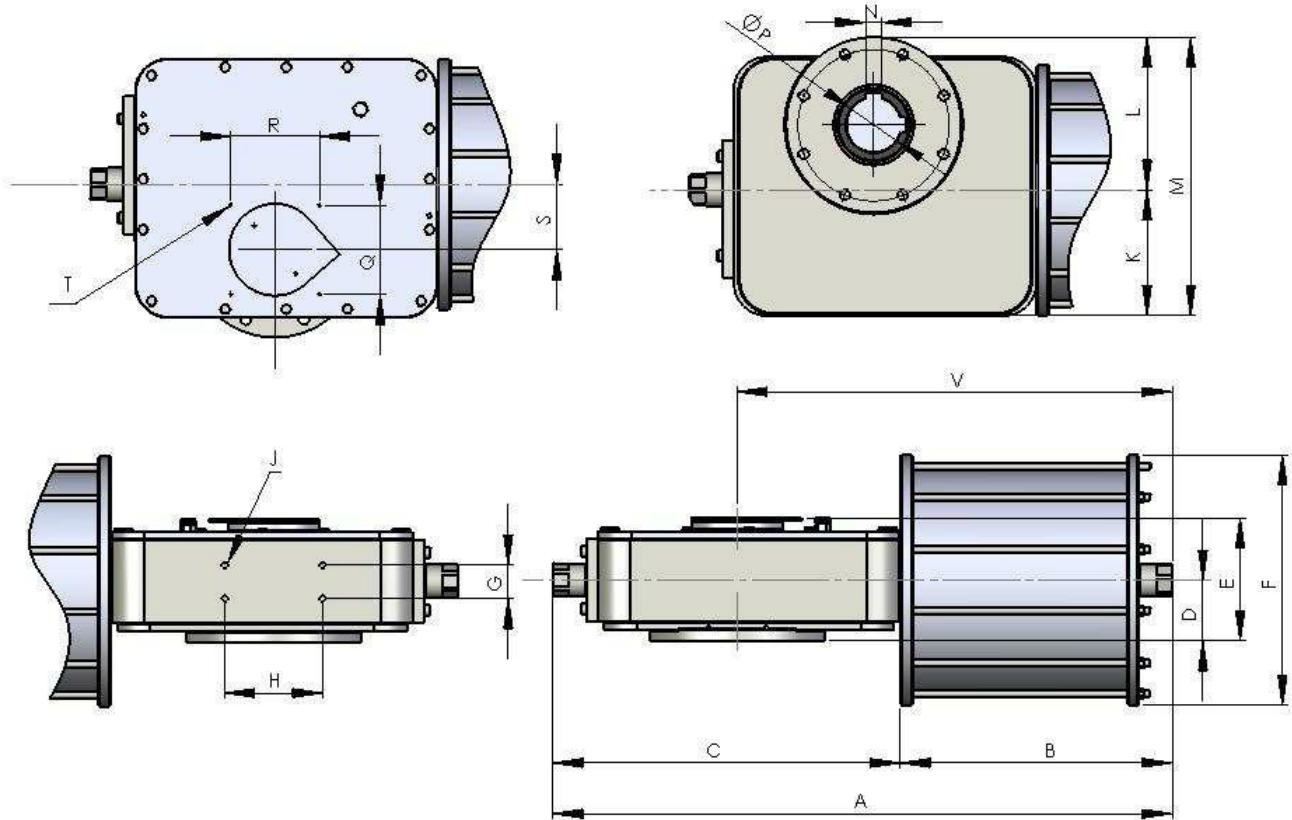
Actuator Size	ISO 5211	Air Connections	Weight (lbs.)	Air Volume (in ³)
KSY-400-235	F16	1/2" NPT	276	476.41
KSY-400-280	F16	1/2" NPT	309	676.33
KSY-400-335	F16	1/2" NPT	430	968.14
KSY-400-385	F16	1" NPT	496	1278.69

Notes:

1. All dimensions are in inches
2. All dimensions and weights are without mounting brackets
3. All weights are in pounds
4. Drawings are not scaled
5. Air volumes are in cubic inches



KSY-900 SCOTCH YOKE PNEUMATIC DOUBLE ACTING



Actuator Size	A	B	C	D	E	F	G	H	J	K	L	M	N	ØP	Q	R	S	T	V
KSY-900-235	33.27	14.57	18.70	3.19	6.38	11.42	2.36	6.93	M12X20	7.32	8.58	15.91	0.87	2.83	6.30	6.30	3.54	M6X10	23.44
KSY-900-280	33.27	14.57	18.70	3.19	6.38	13.39	2.36	6.93	M12X20	7.32	8.58	15.91	0.87	2.83	6.30	6.30	3.54	M6X10	23.44
KSY-900-335	33.27	14.57	18.70	3.19	6.38	15.75	2.36	6.93	M12X20	7.32	8.58	15.91	0.87	2.83	6.30	6.30	3.54	M6X10	23.44
KSY-900-385	33.27	14.57	18.70	3.19	6.38	17.72	2.36	6.93	M12X20	7.32	8.58	15.91	0.87	2.83	6.30	6.30	3.54	M6X10	23.44
KSY-900-435	33.27	14.57	18.70	3.19	6.38	20.08	2.36	6.93	M12X20	7.32	8.58	15.91	0.87	2.83	6.30	6.30	3.54	M6X10	23.44

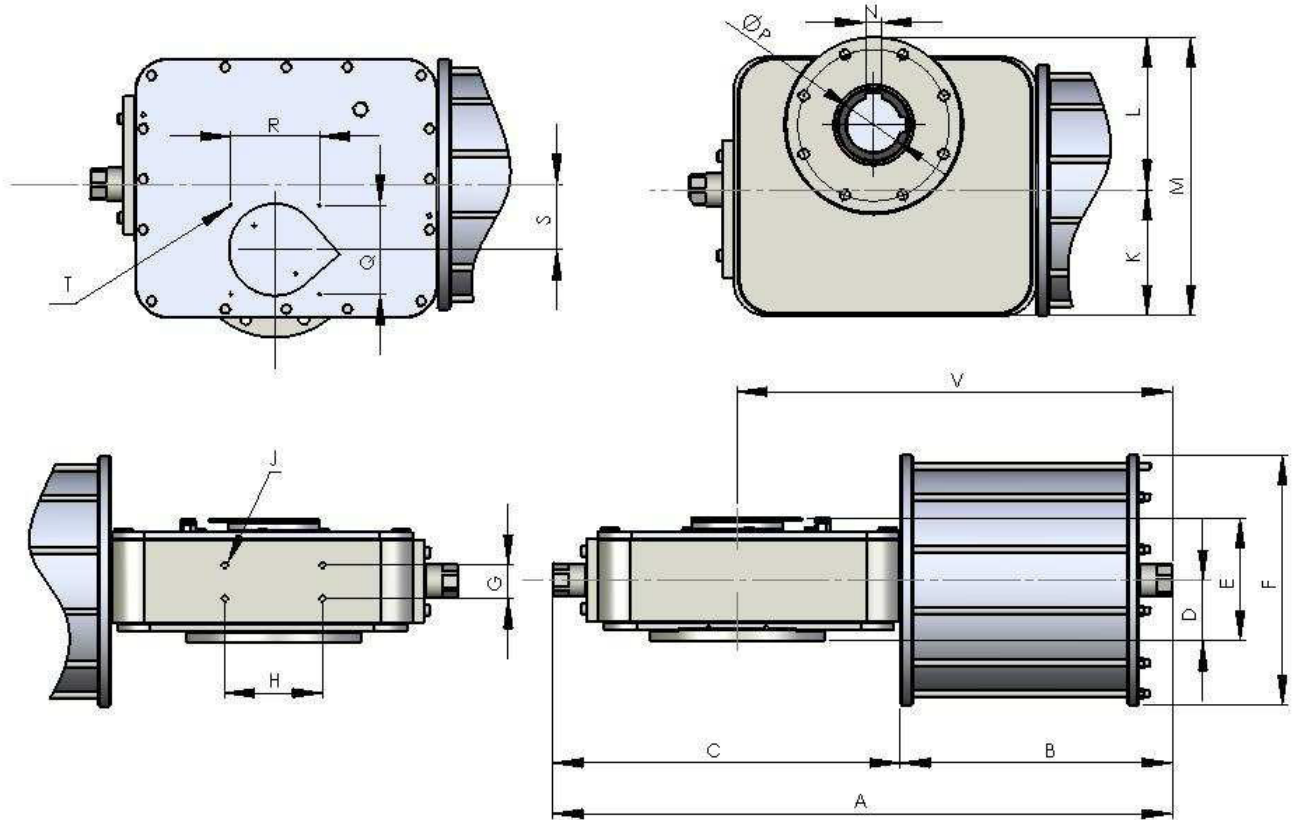
Actuator Size	ISO 5211	Air Connections	Weight (lbs.)	Air Volume (in ³)
KSY-900-235	F25	1/2" NPT	298	582.29
KSY-900-280	F25	1/2" NPT	337	826.63
KSY-900-335	F25	1/2" NPT	452	1183.31
KSY-900-385	F25	1" NPT	525	1562.88
KSY-900-435	F25	1" NPT	580	1995.17

Notes:

1. All dimensions are in inches
2. All dimensions and weights are without mounting brackets
3. All weights are in pounds
4. Drawings are not scaled
5. Air volumes are in cubic inches



KSY-1600 SCOTCH YOKE PNEUMATIC DOUBLE ACTING



Actuator Size	A	B	C	D	E	F	G	H	J	K	L	M	N	ØP	Q	R	S	T	V
KSY-1600-335	45.02	19.90	25.12	4.29	8.66	15.75	2.36	6.93	M12X20	8.90	10.81	19.70	1.10	3.86	6.30	6.30	4.61	M6X10	31.42
KSY-1600-385	45.02	19.90	25.12	4.29	8.66	17.72	2.36	6.93	M12X20	8.90	10.81	19.70	1.10	3.86	6.30	6.30	4.61	M6X10	31.42
KSY-1600-435	45.02	19.90	25.12	4.29	8.66	20.08	2.36	6.93	M12X20	8.90	10.81	19.70	1.10	3.86	6.30	6.30	4.61	M6X10	31.42
KSY-1600-485	45.02	19.90	25.12	4.29	8.66	22.24	2.36	6.93	M12X20	8.90	10.81	19.70	1.10	3.86	6.30	6.30	4.61	M6X10	31.42
KSY-1600-535	45.02	19.90	25.12	4.29	8.66	24.21	2.36	6.93	M12X20	8.90	10.81	19.70	1.10	3.86	6.30	6.30	4.61	M6X10	31.42

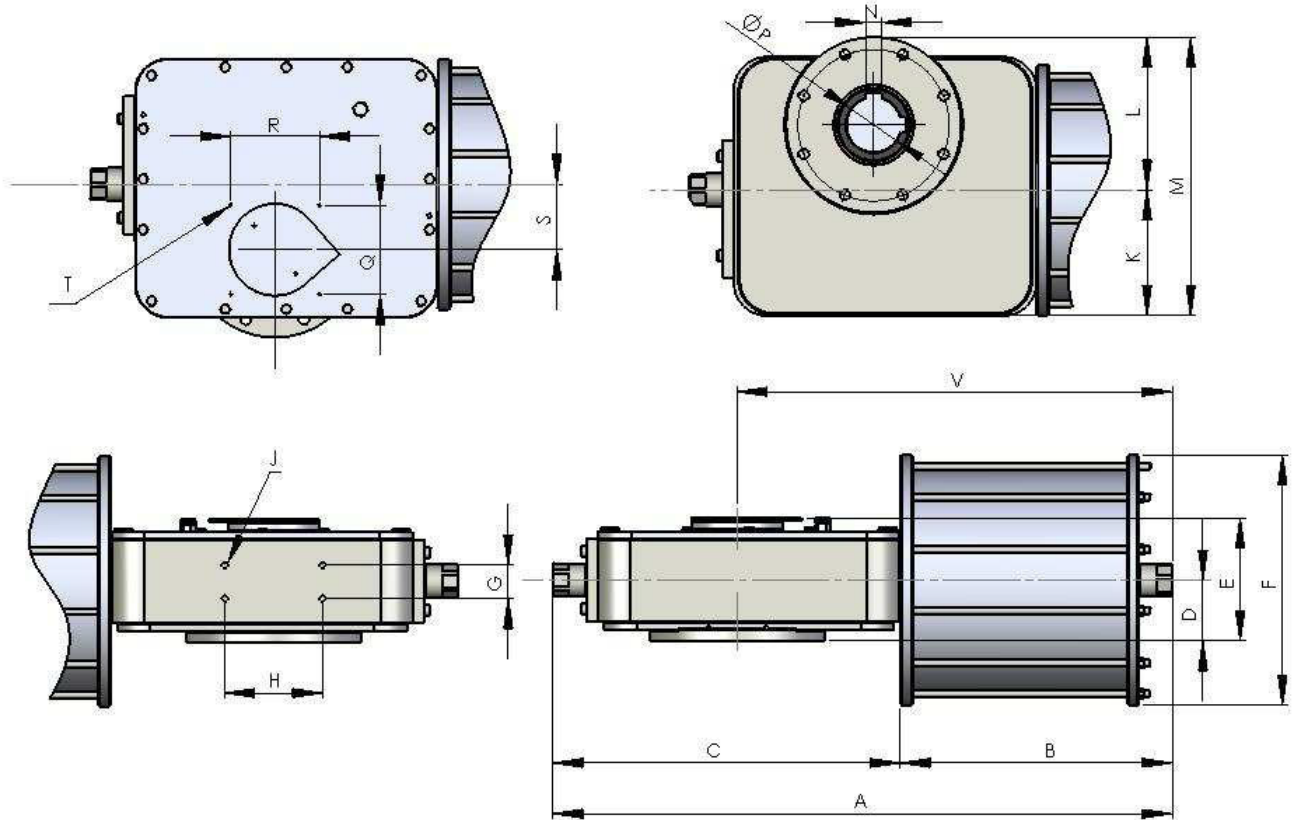
Actuator Size	ISO 5211	Air Connections	Weight (lbs.)	Air Volume (in ³)
KSY-1600-335	F30	1/2" NPT	644	1705
KSY-1600-385	F30	1" NPT	721	2251.96
KSY-1600-435	F30	1" NPT	851	2874.89
KSY-1600-485	F30	1" NPT	946	3573.79
KSY-1600-535	F30	1" NPT	1056	4348.61

Notes:

1. All dimensions are in inches
2. All dimensions and weights are without mounting brackets
3. All weights are in pounds
4. Drawings are not scaled
5. Air volumes are in cubic inches



KSY-3500 SCOTCH YOKE PNEUMATIC DOUBLE ACTING



Actuator Size	A	B	C	D	E	F	G	H	J	K	L	M	N	ØP	Q	R	S	T	V
KSY-3500-335	46.10	20.12	25.98	4.29	8.66	15.75	2.36	6.93	M12X20	8.92	13.68	22.60	1.26	4.72	6.30	6.30	5.51	M6X10	32.26
KSY-3500-385	46.10	20.12	25.98	4.29	8.66	17.72	2.36	6.93	M12X20	8.92	13.68	22.60	1.26	4.72	6.30	6.30	5.51	M6X10	32.26
KSY-3500-435	46.10	20.12	25.98	4.29	8.66	20.08	2.36	6.93	M12X20	8.92	13.68	22.60	1.26	4.72	6.30	6.30	5.51	M6X10	32.26
KSY-3500-485	46.10	20.12	25.98	4.29	8.66	22.24	2.36	6.93	M12X20	8.92	13.68	22.60	1.26	4.72	6.30	6.30	5.51	M6X10	32.26
KSY-3500-535	46.10	20.12	25.98	4.29	8.66	24.21	2.36	6.93	M12X20	8.92	13.68	22.60	1.26	4.72	6.30	6.30	5.51	M6X10	32.26

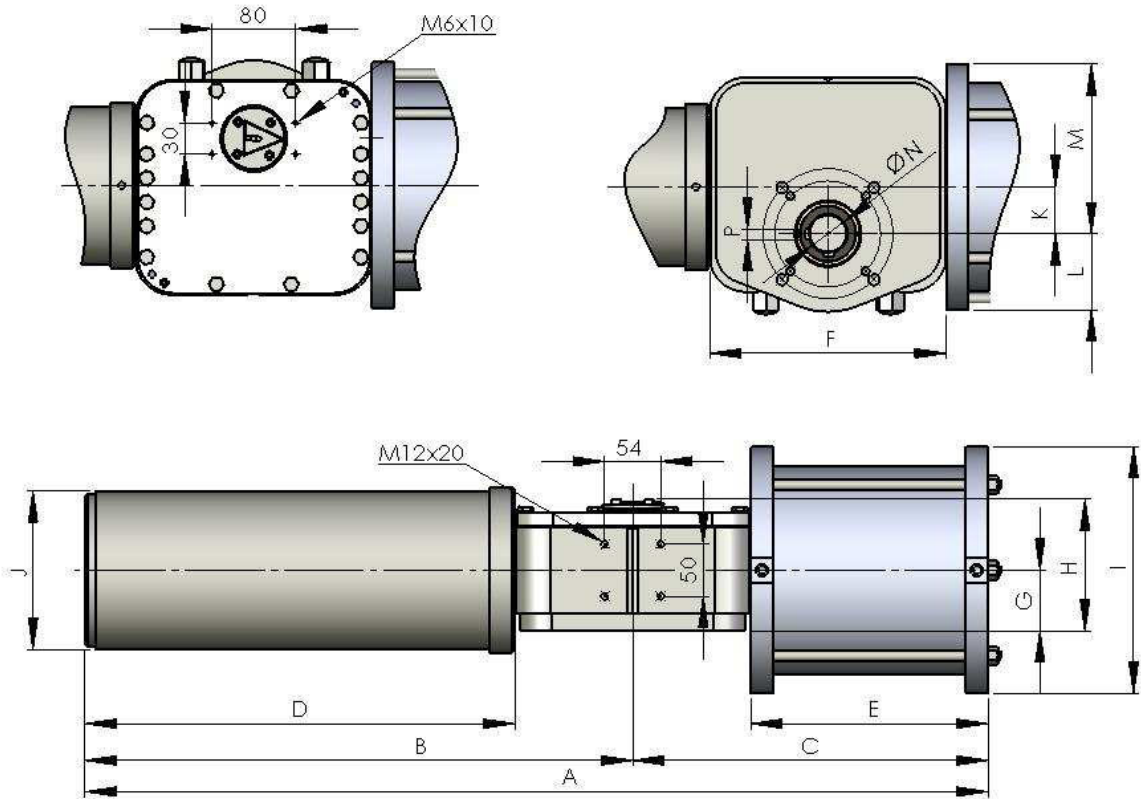
Actuator Size	ISO 5211	Air Connections	Weight (lbs.)	Air Volume (in ³)
KSY-3500-335	F35	1/2" NPT	653	1817.96
KSY-3500-385	F35	1" NPT	728	2401.16
KSY-3500-435	F35	1" NPT	864	3065.34
KSY-3500-485	F35	1" NPT	981	3810.57
KSY-3500-535	F35	1" NPT	1087	4636.71

Notes:

1. All dimensions are in inches
2. All dimensions and weights are without mounting brackets
3. All weights are in pounds
4. Drawings are not scaled
5. Air volumes are in cubic inches



KSYM-100 SCOTCH YOKE PNEUMATIC SPRING RETURN



Actuator Size	A	B	C	D	E	F	G	H	I	J	K	L	M	ØN	P
KSYM-100-160-300	33.43	19.96	13.43	15.55	8.98	8.86	2.30	6.40	8.54	6.69	1.77	2.50	6.04	1.42	0.39
KSYM-100-180-300	33.43	19.96	13.43	15.55	8.98	8.86	2.30	6.40	9.33	6.69	1.77	2.89	6.44	1.42	0.39
KSYM-100-235-300	33.43	19.96	13.43	15.55	8.98	8.86	2.30	6.40	11.50	6.69	1.77	3.98	7.52	1.42	0.39
KSYM-100-160-400	34.80	21.34	13.43	16.93	8.98	8.86	2.30	6.40	8.54	9.65	1.77	2.50	6.04	1.42	0.39
KSYM-100-180-400	34.80	21.34	13.43	16.93	8.98	8.86	2.30	6.40	9.33	9.65	1.77	2.89	6.44	1.42	0.39
KSYM-100-235-400	34.80	21.34	13.43	16.93	8.98	8.86	2.30	6.40	11.50	9.65	1.77	3.98	7.52	1.42	0.39

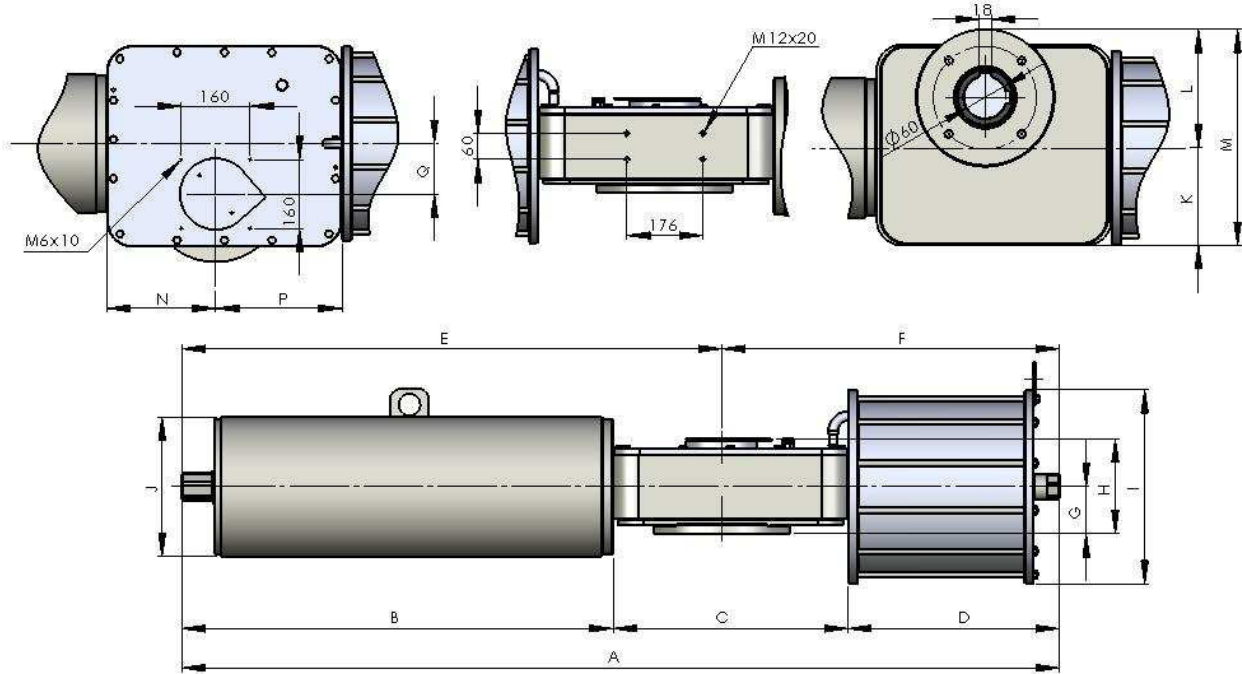
Actuator Size	ISO 5211	Air Connections	Weight	Air Volume (in ³)
KSYM-100-160-300	F12	1/4" NPT	172	158.66
KSYM-100-180-300	F12	1/4" NPT	192	201.38
KSYM-100-235-300	F12	1/2" NPT	245	341.73
KSYM-100-160-400	F12	1/4" NPT	218	158.66
KSYM-100-180-400	F12	1/4" NPT	238	201.38
KSYM-100-235-400	F12	1/2" NPT	291	341.73

Notes:

1. All dimensions are in inches
2. All dimensions and weights are without mounting brackets
3. All weights are in pounds
4. Drawings are not scaled
5. Air volumes are in cubic inches



KSYM-400 SCOTCH YOKE PNEUMATIC SPRING RETURN



Actuator Size	A	B	C	D	E	F	G	H	I	J	K	L	M	N	P	Q
KSYM-400-235-110	50.43	23.62	13.82	12.99	29.92	20.51	3.01	5.71	11.42	9.61	6.81	8.66	15.47	6.30	7.52	2.76
KSYM-400-280-110	50.43	23.62	13.82	12.99	29.92	20.51	3.01	5.71	13.39	9.61	6.81	8.66	15.47	6.30	7.52	2.76
KSYM-400-335-110	50.43	23.62	13.82	12.99	29.92	20.51	3.01	5.71	15.75	9.61	6.81	8.66	15.47	6.30	7.52	2.76
KSYM-400-235-160	51.81	25.00	13.82	12.99	31.30	20.51	3.01	5.71	11.42	11.81	6.81	8.66	15.47	6.30	7.52	2.76
KSYM-400-280-160	51.81	25.00	13.82	12.99	31.30	20.51	3.01	5.71	13.39	11.81	6.81	8.66	15.47	6.30	7.52	2.76
KSYM-400-335-160	51.81	25.00	13.82	12.99	31.30	20.51	3.01	5.71	15.75	11.81	6.81	8.66	15.47	6.30	7.52	2.76
KSYM-400-385-160	51.81	25.00	13.82	12.99	31.30	20.51	3.01	5.71	17.72	11.81	6.81	8.66	15.47	6.30	7.52	2.76
KSYM-400-280-220	52.60	25.79	13.82	12.99	32.09	20.51	3.01	5.71	13.39	11.81	6.81	8.66	15.47	6.30	7.52	2.76
KSYM-400-335-220	52.60	25.79	13.82	12.99	32.09	20.51	3.01	5.71	15.75	11.81	6.81	8.66	15.47	6.30	7.52	2.76
KSYM-400-385-220	52.60	25.79	13.82	12.99	32.09	20.51	3.01	5.71	17.72	11.81	6.81	8.66	15.47	6.30	7.52	2.76
KSYM-400-435-220	52.60	25.79	13.82	12.99	32.09	20.51	3.01	5.71	20.08	11.81	6.81	8.66	15.47	6.30	7.52	2.76

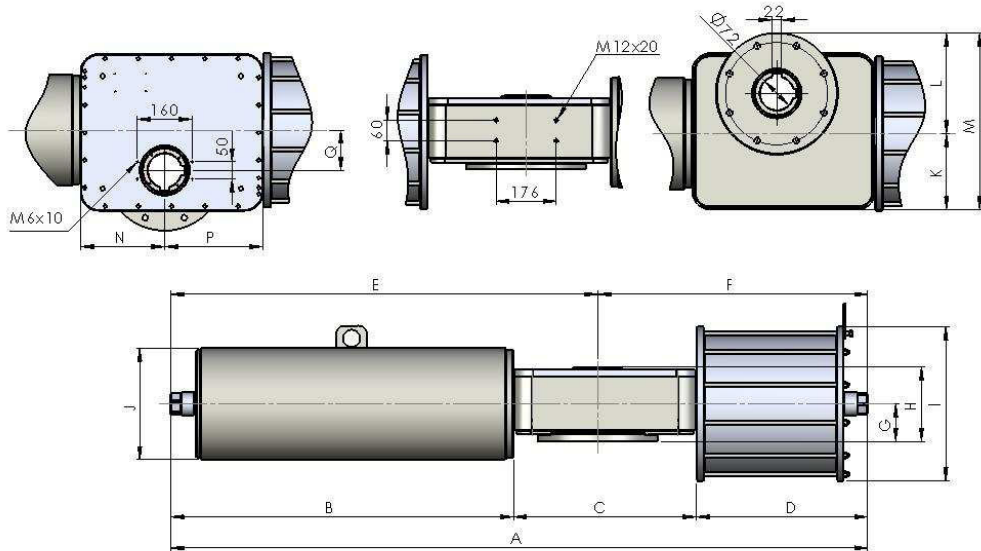
Actuator Size	ISO 5211	Air Connections	Weight (lbs)	Air Volume (in ³)
KSYM-400-235-110	F16	1/2" NPT	465	475.99
KSYM-400-280-110	F16	1/2" NPT	498	671.26
KSYM-400-335-110	F16	1/2" NPT	620	964.18
KSYM-400-235-160	F16	1/2" NPT	487	475.99
KSYM-400-280-160	F16	1/2" NPT	520	671.26
KSYM-400-335-160	F16	1/2" NPT	642	964.18
KSYM-400-385-160	F16	1" NPT	708	1275.40
KSYM-400-280-220	F16	1/2" NPT	637	671.26
KSYM-400-335-220	F16	1/2" NPT	758	964.18
KSYM-400-385-220	F16	1" NPT	825	1275.40
KSYM-400-435-220	F16	1" NPT	858	1629.33

Notes:

1. All dimensions are in inches
2. All dimensions and weights are without mounting brackets
3. All weights are in pounds
4. Drawings are not scaled
5. Air volumes are in cubic inches



KSYM-900 SCOTCH YOKE PNEUMATIC SPRING RETURN



Actuator Size	A	B	C	D	E	F	G	H	I	J	K	L	M	N	P	Q
KSYM-900-235-140	58.82	27.72	16.54	14.57	35.39	23.43	3.19	6.38	11.42	9.61	7.32	8.58	15.91	7.68	8.86	3.54
KSYM-900-280-140	58.82	27.72	16.54	14.57	35.39	23.43	3.19	6.38	13.39	9.61	7.32	8.58	15.91	7.68	8.86	3.54
KSYM-900-335-140	58.82	27.72	16.54	14.57	35.39	23.43	3.19	6.38	15.75	9.61	7.32	8.58	15.91	7.68	8.86	3.54
KSYM-900-235-200	60.20	29.09	16.54	14.57	36.77	23.43	3.19	6.38	11.42	11.81	7.32	8.58	15.91	7.68	8.86	3.54
KSYM-900-280-200	60.20	29.09	16.54	14.57	36.77	23.43	3.19	6.38	13.39	11.81	7.32	8.58	15.91	7.68	8.86	3.54
KSYM-900-335-200	60.20	29.09	16.54	14.57	36.77	23.43	3.19	6.38	15.75	11.81	7.32	8.58	15.91	7.68	8.86	3.54
KSYM-900-385-200	60.20	29.09	16.54	14.57	36.77	23.43	3.19	6.38	17.72	11.81	7.32	8.58	15.91	7.68	8.86	3.54
KSYM-900-435-200	60.20	29.09	16.54	14.57	36.77	23.43	3.19	6.38	20.08	11.81	7.32	8.58	15.91	7.68	8.86	3.54
KSYM-900-280-290	60.98	29.88	16.54	14.57	37.56	23.43	3.19	6.38	13.39	11.81	7.32	8.58	15.91	7.68	8.86	3.54
KSYM-900-335-290	60.98	29.88	16.54	14.57	37.56	23.43	3.19	6.38	15.75	11.81	7.32	8.58	15.91	7.68	8.86	3.54
KSYM-900-385-290	60.98	29.88	16.54	14.57	37.56	23.43	3.19	6.38	17.72	11.81	7.32	8.58	15.91	7.68	8.86	3.54
KSYM-900-435-290	60.98	29.88	16.54	14.57	37.56	23.43	3.19	6.38	20.08	11.81	7.32	8.58	15.91	7.68	8.86	3.54
KSYM-900-335-390	61.81	29.88	16.54	14.57	38.35	23.43	3.19	6.38	15.75	12.99	7.32	8.58	15.91	7.68	8.86	3.54
KSYM-900-385-390	61.81	29.88	16.54	14.57	38.35	23.43	3.19	6.38	17.72	12.99	7.32	8.58	15.91	7.68	8.86	3.54
KSYM-900-435-390	61.81	29.88	16.54	14.57	38.35	23.43	3.19	6.38	20.08	12.99	7.32	8.58	15.91	7.68	8.86	3.54

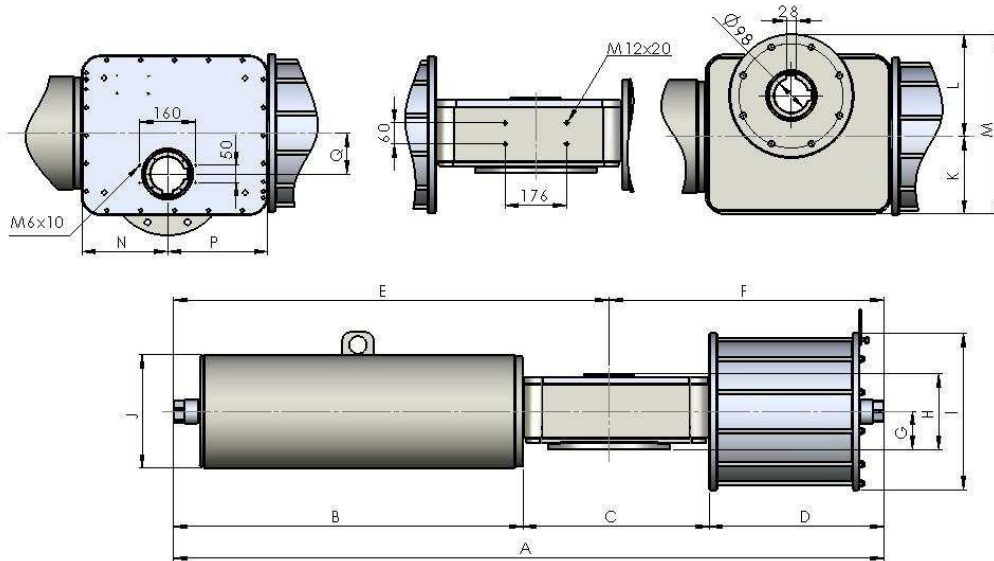
Actuator Size	ISO 5211	Air Connections	Weight (lbs.)	Air Volume (in ³)
KSYM-900-235-140	F25	1/2"NPT	523	579.73
KSYM-900-280-140	F25	1/2"NPT	562	823.82
KSYM-900-335-140	F25	1/2"NPT	677	1177.76
KSYM-900-235-200	F25	1/2"NPT	542	579.73
KSYM-900-280-200	F25	1/2"NPT	582	823.82
KSYM-900-335-200	F25	1/2"NPT	697	1177.76
KSYM-900-385-200	F25	1"NPT	769	1562.21
KSYM-900-435-200	F25	1"NPT	886	1989.37
KSYM-900-280-290	F25	1/2"NPT	708	823.82
KSYM-900-335-290	F25	1/2"NPT	822	1177.76
KSYM-900-385-290	F25	1"NPT	895	1562.21
KSYM-900-435-290	F25	1"NPT	970	1989.37
KSYM-900-335-390	F25	1/2"NPT	844	1177.76
KSYM-900-385-390	F25	1"NPT	917	2477.56
KSYM-900-435-390	F25	1"NPT	1014	1989.37

Notes:

1. All dimensions are in inches
2. All dimensions and weights are without mounting brackets
3. All weights are in pounds
4. Drawings are not scaled
5. Air volumes are in cubic inches



KSYM-1600 SCOTCH YOKE PNEUMATIC SPRING RETURN



Actuator Size	A	B	C	D	E	F	G	H	I	J	K	L	M	N	P	Q
KSYM-1600-335-450	80.10	39.57	21.38	19.90	49.45	31.40	4.29	8.66	15.75	12.80	8.90	10.81	19.70	9.88	11.50	4.61
KSYM-1600-385-450	80.10	39.57	21.38	19.90	49.45	31.40	4.29	8.66	17.72	12.80	8.90	10.81	19.70	9.88	11.50	4.61
KSYM-1600-435-450	80.10	39.57	21.38	19.90	49.45	31.40	4.29	8.66	20.08	12.80	8.90	10.81	19.70	9.88	11.50	4.61
KSYM-1600-485-450	80.10	39.57	21.38	19.90	49.45	31.40	4.29	8.66	22.24	12.80	8.90	10.81	19.70	9.88	11.50	4.61
KSYM-1600-535-450	80.10	39.57	21.38	19.90	49.45	31.40	4.29	8.66	24.21	12.80	8.90	10.81	19.70	9.88	11.50	4.61
KSYM-1600-335-510	76.36	35.83	21.38	19.90	45.71	31.40	4.29	8.66	15.75	13.58	8.90	10.81	19.70	9.88	11.50	4.61
KSYM-1600-385-510	76.36	35.83	21.38	19.90	45.71	31.40	4.29	8.66	17.72	13.58	8.90	10.81	19.70	9.88	11.50	4.61
KSYM-1600-435-510	76.36	35.83	21.38	19.90	45.71	31.40	4.29	8.66	20.08	13.58	8.90	10.81	19.70	9.88	11.50	4.61
KSYM-1600-485-510	76.36	35.83	21.38	19.90	45.71	31.40	4.29	8.66	22.24	13.58	8.90	10.81	19.70	9.88	11.50	4.61
KSYM-1600-535-510	76.36	35.83	21.38	19.90	45.71	31.40	4.29	8.66	24.21	13.58	8.90	10.81	19.70	9.88	11.50	4.61
KSYM-1600-385-650	69.69	36.81	21.38	19.90	38.29	31.40	4.29	8.66	17.72	13.58	8.90	10.81	19.70	9.88	11.50	4.61
KSYM-1600-435-650	69.69	36.81	21.38	19.90	38.29	31.40	4.29	8.66	20.08	13.58	8.90	10.81	19.70	9.88	11.50	4.61
KSYM-1600-485-650	69.69	36.81	21.38	19.90	38.29	31.40	4.29	8.66	22.24	13.58	8.90	10.81	19.70	9.88	11.50	4.61
KSYM-1600-535-650	69.69	36.81	21.38	19.90	38.29	31.40	4.29	8.66	24.21	13.58	8.90	10.81	19.70	9.88	11.50	4.61

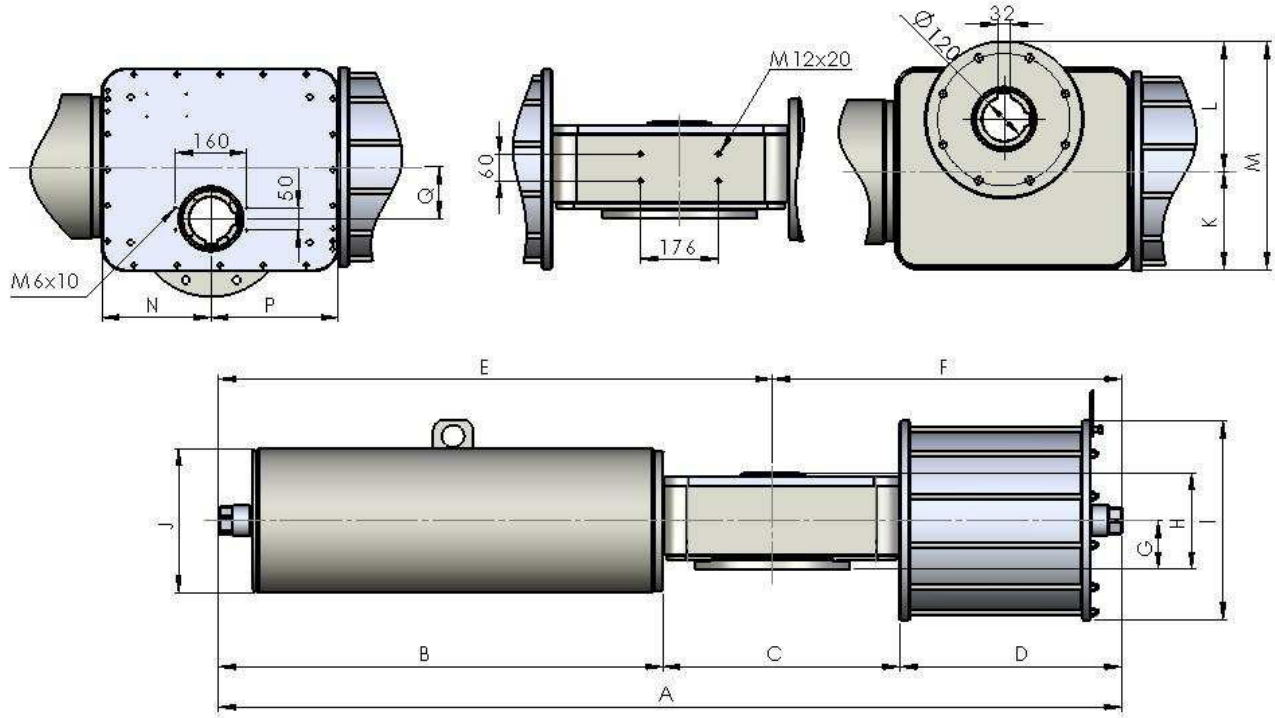
Actuator Size	ISO 5211	Air Connections	Weight	Air Volume (in ³)
KSYM-1600-335-450	F30	1/2"NPT	1276	1702.56
KSYM-1600-385-450	F30	1"NPT	1354	2251.78
KSYM-1600-435-450	F30	1"NPT	1484	2874.22
KSYM-1600-485-450	F30	1"NPT	1579	3569.89
KSYM-1600-535-450	F30	1"NPT	1689	4344.89
KSYM-1600-335-510	F30	1/2"NPT	1391	1702.56
KSYM-1600-385-510	F30	1"NPT	1468	2251.78
KSYM-1600-435-510	F30	1"NPT	1598	2874.22
KSYM-1600-485-510	F30	1"NPT	1693	3569.89
KSYM-1600-535-510	F30	1"NPT	1803	4344.89
KSYM-1600-385-650	F30	1"NPT	1631	2251.78
KSYM-1600-435-650	F30	1"NPT	1761	2874.22
KSYM-1600-485-650	F30	1"NPT	1856	3569.89
KSYM-1600-535-650	F30	1"NPT	1967	4344.89

Notes:

1. All dimensions are in inches
2. All dimensions and weights are without mounting brackets
3. All weights are in pounds
4. Drawings are not scaled
5. Air volumes are in cubic inches



KSYM-3500 SCOTCH YOKE PNEUMATIC SPRING RETURN



Actuator Size	A	B	C	D	E	F	G	H	I	J	K	L	M	N	P	Q
KSYM-3500-485-610	84.67	42.52	22.44	20.12	52.40	32.26	4.29	8.66	22.24	13.58	8.92	13.68	22.60	10.30	12.15	5.51
KSYM-3500-535-610	84.67	42.52	22.44	20.12	52.40	32.26	4.29	8.66	24.21	13.58	8.92	13.68	22.60	10.30	12.15	5.51
KSYM-3500-385-782	90.59	48.03	22.44	20.12	58.33	32.26	4.29	8.66	17.72	17.52	8.92	13.68	22.60	10.30	12.15	5.51
KSYM-3500-435-782	90.59	48.03	22.44	20.12	58.33	32.26	4.29	8.66	20.08	17.52	8.92	13.68	22.60	10.30	12.15	5.51
KSYM-3500-485-782	90.59	48.03	22.44	20.12	58.33	32.26	4.29	8.66	22.24	17.52	8.92	13.68	22.60	10.30	12.15	5.51
KSYM-3500-535-782	90.59	48.03	22.44	20.12	58.33	32.26	4.29	8.66	24.21	17.52	8.92	13.68	22.60	10.30	12.15	5.51
KSYM-3500-385-1057	94.33	48.03	22.44	20.12	62.07	32.26	4.29	8.66	17.72	17.52	8.92	13.68	22.60	10.30	12.15	5.51
KSYM-3500-435-1057	94.33	48.03	22.44	20.12	62.07	32.26	4.29	8.66	20.08	17.52	8.92	13.68	22.60	10.30	12.15	5.51
KSYM-3500-485-1057	94.33	48.03	22.44	20.12	62.07	32.26	4.29	8.66	22.24	17.52	8.92	13.68	22.60	10.30	12.15	5.51
KSYM-3500-535-1057	94.33	48.03	22.44	20.12	62.07	32.26	4.29	8.66	24.21	17.52	8.92	13.68	22.60	10.30	12.15	5.51

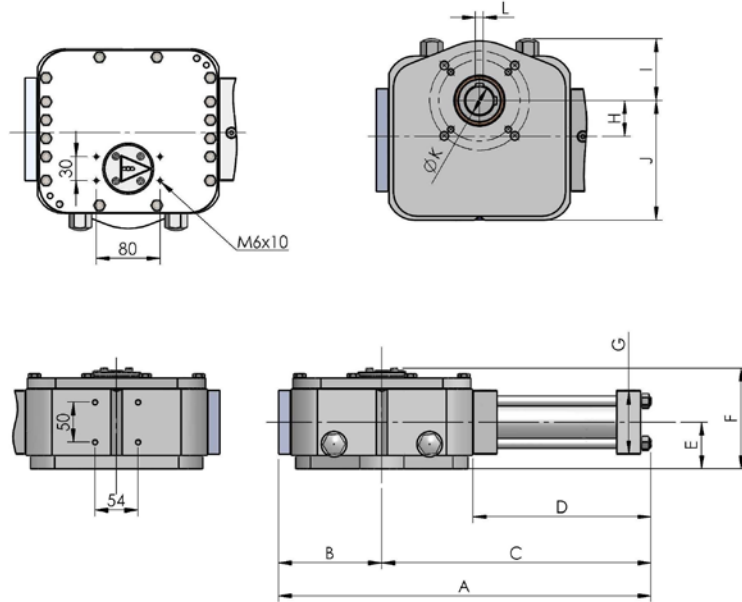
Actuator Size	ISO 5211	Air Connections	Weight (lbs.)	Air Volume (in ³)
KSYM-3500-485-610	F35	1"NPT	2050	3807.88
KSYM-3500-535-610	F35	1"NPT	2156	4631.70
KSYM-3500-385-782	F35	1"NPT	1900	2398.23
KSYM-3500-435-782	F35	1"NPT	2037	3063.39
KSYM-3500-485-782	F35	1"NPT	2154	3807.88
KSYM-3500-535-782	F35	1"NPT	2260	4631.70
KSYM-3500-385-1057	F35	1"NPT	2271	2398.23
KSYM-3500-435-1057	F35	1"NPT	2407	3063.39
KSYM-3500-485-1057	F35	1"NPT	2524	3807.88
KSYM-3500-535-1057	F35	1"NPT	2630	4631.70

Notes:

1. All dimensions are in inches
2. All dimensions and weights are without mounting brackets
3. All weights are in pounds
4. Drawings are not scaled
5. Air volumes are in cubic inches



KSYH-100 SCOTCH YOKE HYDRAULIC DOUBLE ACTING ACTUATOR



Actuator Size	A	B	C	D	E	F	G	H	I	J	ØK	L
KSYH-100-35	20.18	6.73	13.45	8.98	2.30	6.40	3.35	1.77	2.89	6.44	1.42	0.39
KSYH-100-40	20.18	6.73	13.45	8.98	2.30	6.40	3.54	1.77	2.89	6.44	1.42	0.39
KSYH-100-45	20.18	6.73	13.45	8.98	2.30	6.40	3.74	1.77	2.89	6.44	1.42	0.39
KSYH-100-50	20.18	6.73	13.45	8.98	2.30	6.40	3.94	1.77	2.89	6.44	1.42	0.39
KSYH-100-55	20.18	6.73	13.45	8.98	2.30	6.40	4.13	1.77	2.89	6.44	1.42	0.39
KSYH-100-60	20.18	6.73	13.45	8.98	2.30	6.40	4.33	1.77	2.89	6.44	1.42	0.39

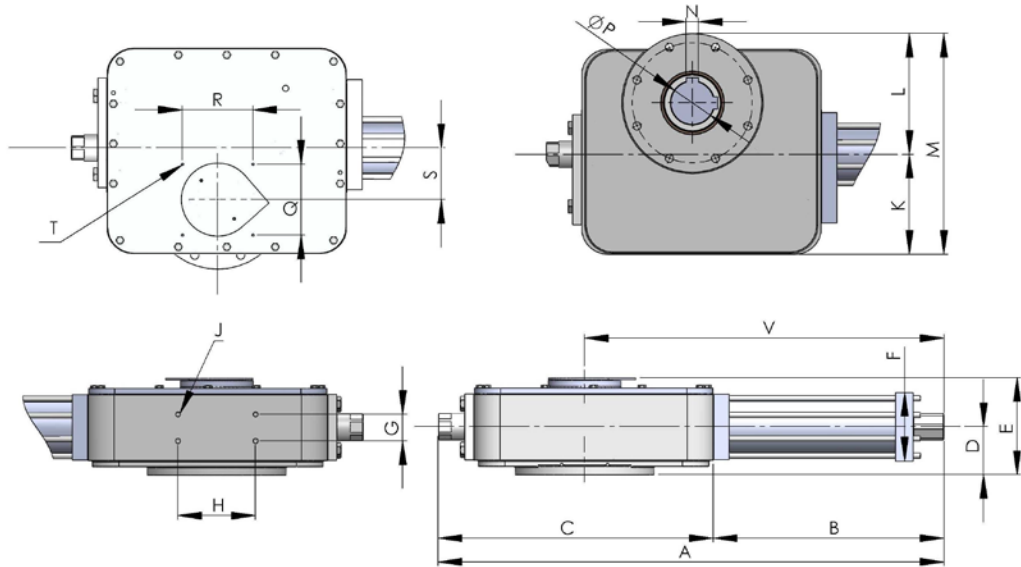
Actuator Size	ISO 5211	Hydraulic connections	Weight	Oil Volume
KSYH-100-35	F10-F12	1/4" NPT	82	5.31
KSYH-100-40	F10-F12	1/4" NPT	84	6.90
KSYH-100-45	F10-F12	1/4" NPT	86	8.73
KSYH-100-50	F10-F12	1/4" NPT	86	10.74
KSYH-100-55	F10-F12	1/4" NPT	88	13.00
KSYH-100-60	F10-F12	1/4" NPT	90	15.50

Notes:

1. All dimensions are in inches
2. All dimensions and weights are without mounting brackets
3. All weights are in pounds
4. Drawings are not scaled
5. Air volumes are in cubic inches



KSYH-400 SCOTCH YOKE HYDRAULIC DOUBLE ACTING ACTUATOR



Actuator Size	A	B	C	D	E	F	G	H	J	K	L	M	N	ØP	Q	R	S	T	V
KSYH-400-45	28.70	12.99	15.71	3.01	5.87	3.74	2.36	6.93	M12x20	6.81	8.66	15.47	0.71	2.36	1.18	5.12	2.76	M5x8	20.51
KSYH-400-50	28.70	12.99	15.71	3.01	5.87	3.94	2.36	6.93	M12x20	6.81	8.66	15.47	0.71	2.36	1.18	5.12	2.76	M5x8	20.51
KSYH-400-55	28.70	12.99	15.71	3.01	5.87	4.13	2.36	6.93	M12x20	6.81	8.66	15.47	0.71	2.36	1.18	5.12	2.76	M5x8	20.51
KSYH-400-60	28.70	12.99	15.71	3.01	5.87	4.33	2.36	6.93	M12x20	6.81	8.66	15.47	0.71	2.36	1.18	5.12	2.76	M5x8	20.51
KSYH-400-65	28.70	12.99	15.71	3.01	5.87	4.53	2.36	6.93	M12x20	6.81	8.66	15.47	0.71	2.36	1.18	5.12	2.76	M5x8	20.51
KSYH-400-70	28.70	12.99	15.71	3.01	5.87	4.72	2.36	6.93	M12x20	6.81	8.66	15.47	0.71	2.36	1.18	5.12	2.76	M5x8	20.51
KSYH-400-75	28.70	12.99	15.71	3.01	5.87	4.92	2.36	6.93	M12x20	6.81	8.66	15.47	0.71	2.36	1.18	5.12	2.76	M5x8	20.51
KSYH-400-80	28.70	12.99	15.71	3.01	5.87	5.12	2.36	6.93	M12x20	6.81	8.66	15.47	0.71	2.36	1.18	5.12	2.76	M5x8	20.51

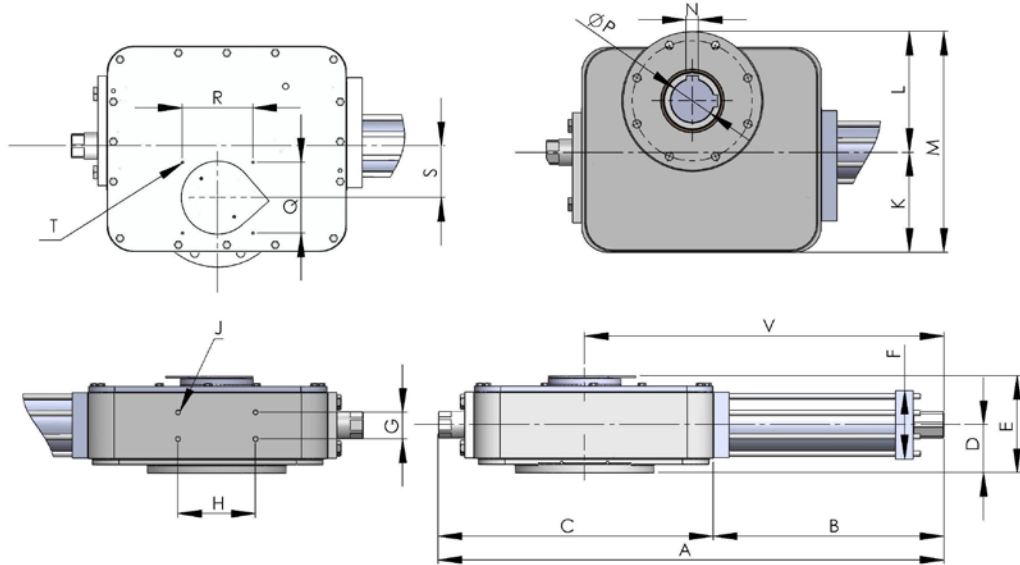
Actuator Size	ISO 5211	Hydraulic connections	Weight	Oil Volume
KSYH-400-45	F16	1/4" NPT	229	13.55
KSYH-400-50	F16	1/4" NPT	232	16.72
KSYH-400-55	F16	1/4" NPT	232	20.26
KSYH-400-60	F16	1/4" NPT	234	24.1
KSYH-400-65	F16	1/4" NPT	236	28.32
KSYH-400-70	F16	1/2" NPT	236	32.83
KSYH-400-75	F16	1/2" NPT	238	37.71
KSYH-400-80	F16	1/2" NPT	240	42.9

Notes:

1. All dimensions are in inches
2. All dimensions and weights are without mounting brackets
3. All weights are in pounds
4. Drawings are not scaled
5. Air volumes are in cubic inches



KSYH-900 SCOTCH YOKE HYDRAULIC DOUBLE ACTING ACTUATOR



Actuator Size	A	B	C	D	E	F	G	H	J	K	L	M	N	Q	R	S	T	V
KSYH-900-65	33.27	14.57	18.7	3.19	6.38	4.53	2.36	6.93	M12x20	7.32	8.58	15.91	0.87	1.18	5.12	3.54	M5x8	23.44
KSYH-900-70	33.27	14.57	18.7	3.19	6.38	4.72	2.36	6.93	M12x20	7.32	8.58	15.91	0.87	1.18	5.12	3.54	M5x8	23.44
KSYH-900-75	33.27	14.57	18.7	3.19	6.38	4.92	2.36	6.93	M12x20	7.32	8.58	15.91	0.87	1.18	5.12	3.54	M5x8	23.44
KSYH-900-80	33.27	14.57	18.7	3.19	6.38	5.12	2.36	6.93	M12x20	7.32	8.58	15.91	0.87	1.18	5.12	3.54	M5x8	23.44
KSYH-900-85	33.27	14.57	18.7	3.19	6.38	5.32	2.36	6.93	M12x20	7.32	8.58	15.91	0.87	1.18	5.12	3.54	M5x8	23.44
KSYH-900-90	33.27	14.57	18.7	3.19	6.38	5.51	2.36	6.93	M12x20	7.32	8.58	15.91	0.87	1.18	5.12	3.54	M5x8	23.44
KSYH-900-100	33.27	14.57	18.7	3.19	6.38	5.91	2.36	6.93	M12x20	7.32	8.58	15.91	0.87	1.18	5.12	3.54	M5x8	23.44
KSYH-900-110	33.27	14.57	18.7	3.19	6.38	6.30	2.36	6.93	M12x20	7.32	8.58	15.91	0.87	1.18	5.12	3.54	M5x8	23.44

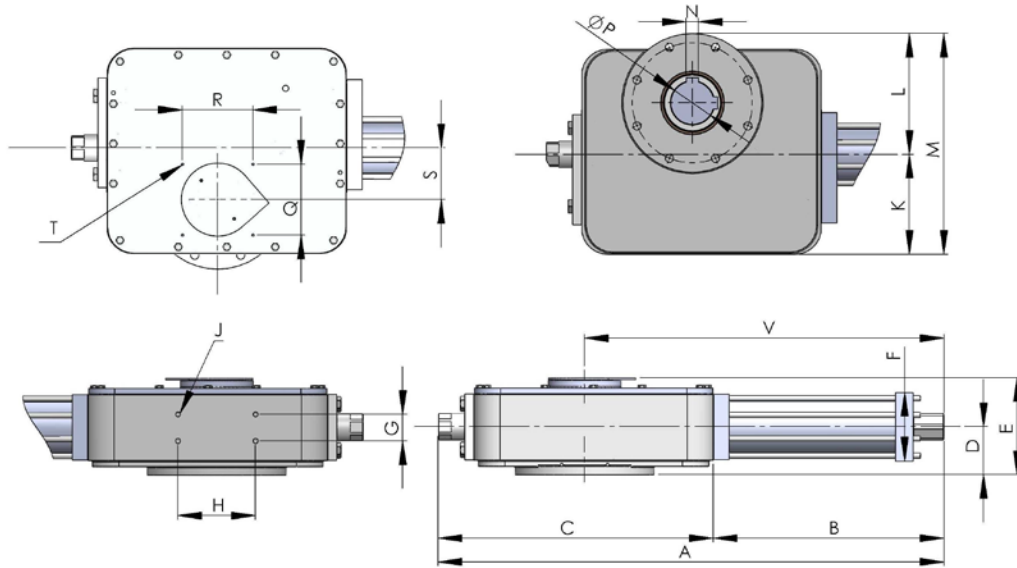
Actuator Size	ISO 5211	Hydraulic connections	Weight	Oil Volume
KSYH-900-65	F25	1/2" NPT	282	36.43
KSYH-900-70	F25	1/2" NPT	284	42.23
KSYH-900-75	F25	1/2" NPT	287	48.51
KSYH-900-80	F25	1/2" NPT	287	55.17
KSYH-900-85	F25	1/2" NPT	291	62.31
KSYH-900-90	F25	1/2" NPT	293	69.87
KSYH-900-100	F25	1/2" NPT	300	86.23
KSYH-900-110	F25	1/2" NPT	304	104.35

Notes:

1. All dimensions are in inches
2. All dimensions and weights are without mounting brackets
3. All weights are in pounds
4. Drawings are not scaled
5. Air volumes are in cubic inches



KSYH-1600 SCOTCH YOKE HYDRAULIC DOUBLE ACTING ACTUATOR



Actuator Size	A	B	C	D	E	F	G	H	J	K	L	M	N	ØP	Q	R	S	T	V
KSYH-1600-75	45.02	19.90	25.12	4.29	8.66	4.92	2.36	6.93	M12x20	8.90	10.81	19.71	1.10	3.86	1.97	6.30	4.61	M5x8	31.42
KSYH-1600-80	45.02	19.90	25.12	4.29	8.66	5.12	2.36	6.93	M12x20	8.90	10.81	19.71	1.10	3.86	1.97	6.30	4.61	M5x8	31.42
KSYH-1600-85	45.02	19.90	25.12	4.29	8.66	5.32	2.36	6.93	M12x20	8.90	10.81	19.71	1.10	3.86	1.97	6.30	4.61	M5x8	31.42
KSYH-1600-90	45.02	19.90	25.12	4.29	8.66	5.51	2.36	6.93	M12x20	8.90	10.81	19.71	1.10	3.86	1.97	6.30	4.61	M5x8	31.42
KSYH-1600-95	45.02	19.90	25.12	4.29	8.66	5.71	2.36	6.93	M12x20	8.90	10.81	19.71	1.10	3.86	1.97	6.30	4.61	M5x8	31.42
KSYH-1600-105	45.02	19.90	25.12	4.29	8.66	6.10	2.36	6.93	M12x20	8.90	10.81	19.71	1.10	3.86	1.97	6.30	4.61	M5x8	31.42
KSYH-1600-115	45.02	19.90	25.12	4.29	8.66	6.50	2.36	6.93	M12x20	8.90	10.81	19.71	1.10	3.86	1.97	6.30	4.61	M5x8	31.42
KSYH-1600-130	45.02	19.90	25.12	4.29	8.66	7.09	2.36	6.93	M12x20	8.90	10.81	19.71	1.10	3.86	1.97	6.30	4.61	M5x8	31.42

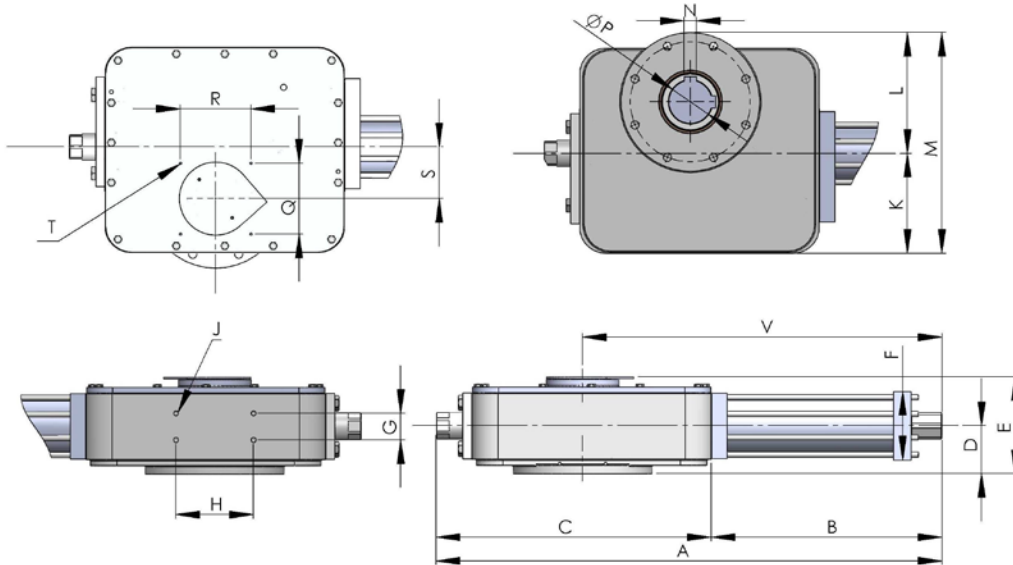
Actuator Size	ISO 5211	Hydraulic connections	Weight	Oil Volume
KSYH-1600-75	F30	1/2" NPT	494	63.04
KSYH-1600-80	F30	1/2" NPT	496	71.76
KSYH-1600-85	F30	1/2" NPT	501	80.98
KSYH-1600-90	F30	1/2" NPT	503	90.80
KSYH-1600-95	F30	1/2" NPT	509	101.18
KSYH-1600-105	F30	1/2" NPT	516	123.63
KSYH-1600-115	F30	3/4" NPT	520	148.29
KSYH-1600-130	F30	3/4" NPT	529	189.48

Notes:

1. All dimensions are in inches
2. All dimensions and weights are without mounting brackets
3. All weights are in pounds
4. Drawings are not scaled
5. Air volumes are in cubic inches



KSYH-3500 SCOTCH YOKE HYDRAULIC DOUBLE ACTING ACTUATOR



Actuator Size	A	B	C	D	E	F	G	H	J	K	L	M	N	ØP	Q	R	S	T	V
KSYH-3500-100	46.10	20.12	25.98	4.29	8.66	5.91	2.36	6.93	M12x20	8.92	13.68	22.60	1.26	4.72	1.97	7.48	5.51	M5x8	32.26
KSYH-3500-110	46.10	20.12	25.98	4.29	8.66	6.30	2.36	6.93	M12x20	8.92	13.68	22.60	1.26	4.72	1.97	7.48	5.51	M5x8	32.26
KSYH-3500-115	46.10	20.12	25.98	4.29	8.66	6.50	2.36	6.93	M12x20	8.92	13.68	22.60	1.26	4.72	1.97	7.48	5.51	M5x8	32.26
KSYH-3500-125	46.10	20.12	25.98	4.29	8.66	6.89	2.36	6.93	M12x20	8.92	13.68	22.60	1.26	4.72	1.97	7.48	5.51	M5x8	32.26
KSYH-3500-135	46.10	20.12	25.98	4.29	8.66	7.28	2.36	6.93	M12x20	8.92	13.68	22.60	1.26	4.72	1.97	7.48	5.51	M5x8	32.26
KSYH-3500-140	46.10	20.12	25.98	4.29	8.66	7.48	2.36	6.93	M12x20	8.92	13.68	22.60	1.26	4.72	1.97	7.48	5.51	M5x8	32.26
KSYH-3500-160	46.10	20.12	25.98	4.29	8.66	8.27	2.36	6.93	M12x20	8.92	13.68	22.60	1.26	4.72	1.97	7.48	5.51	M5x8	32.26
KSYH-3500-175	46.10	20.12	25.98	4.29	8.66	8.86	2.36	6.93	M12x20	8.92	13.68	22.60	1.26	4.72	1.97	7.48	5.51	M5x8	32.26

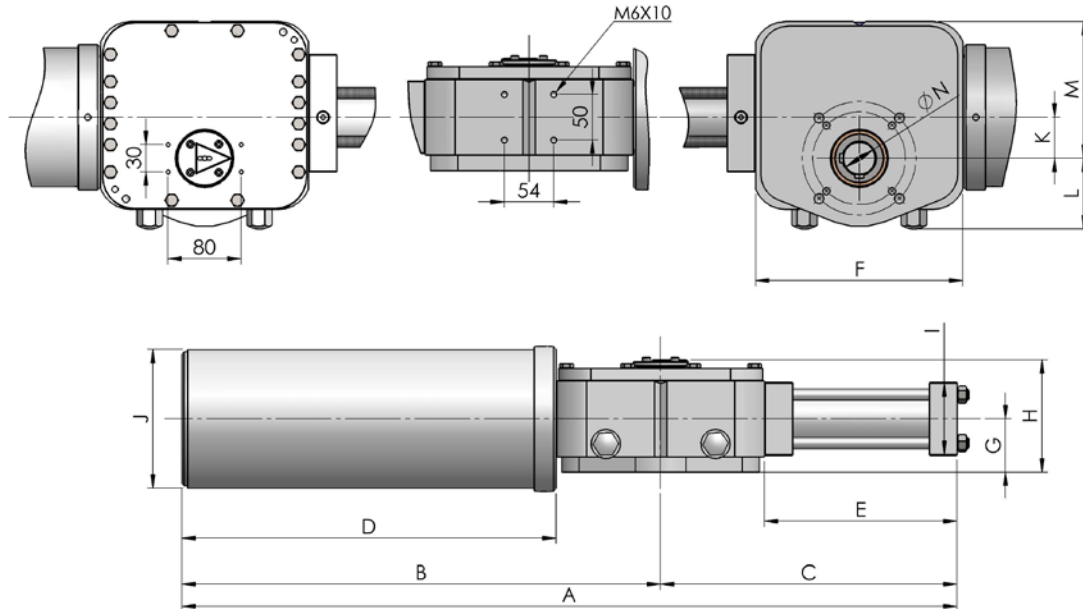
Actuator Size	ISO 5211	Hydraulic connections	Weight	Oil Volume
KSYH-3500-100	F35	1/2" NPT	\$657	134.19
KSYH-3500-110	F35	1/2" NPT	\$661	162.32
KSYH-3500-115	F35	3/4" NPT	\$664	177.46
KSYH-3500-125	F35	3/4" NPT	\$670	209.68
KSYH-3500-135	F35	3/4" NPT	\$677	244.52
KSYH-3500-140	F35	3/4" NPT	\$690	263.01
KSYH-3500-160	F35	3/4" NPT	\$714	343.50
KSYH-3500-175	F35	3/4" NPT	\$739	410.93

Notes:

1. All dimensions are in inches
2. All dimensions and weights are without mounting brackets
3. All weights are in pounds
4. Drawings are not scaled
5. Air volumes are in cubic inches



KSYHM-100 SCOTCH YOKE HYDRAULIC SPRING RETURN ACTUATOR



Actuator Size	A	B	C	D	E	F	G	H	I	J	K	L	M	ØN	P
KSYHM-100-45-046	33.43	19.96	13.43	15.55	8.98	8.86	2.30	6.40	3.74	6.69	1.77	2.50	6.04	1.42	0.40
KSYHM-100-50-046	33.43	19.96	13.43	15.55	8.98	8.86	2.30	6.40	3.94	6.69	1.77	2.89	6.44	1.42	0.40
KSYHM-100-55-046	33.43	19.96	13.43	15.55	8.98	8.86	2.30	6.40	4.13	6.69	1.77	3.98	7.52	1.42	0.40
KSYHM-100-60-046	33.43	19.96	13.43	15.55	8.98	8.86	2.30	6.40	4.33	6.69	1.77	2.89	6.44	1.42	0.40
KSYHM-100-65-046	33.43	19.96	13.43	15.55	8.98	8.86	2.30	6.40	4.13	6.69	1.77	3.98	7.52	1.42	0.40
KSYHM-100-70-046	33.43	19.96	13.43	15.55	8.98	8.86	2.30	6.40	4.72	6.69	1.77	2.89	6.44	1.42	0.40
KSYHM-100-80-046	33.43	19.96	13.43	15.55	8.98	8.86	2.30	6.40	5.12	6.69	1.77	3.98	7.52	1.42	0.40
KSYHM-100-50-078	34.80	21.34	13.43	16.93	8.98	8.86	2.30	6.40	3.94	9.65	1.77	2.50	6.04	1.42	0.40
KSYHM-100-55-078	34.80	21.34	13.43	16.93	8.98	8.86	2.30	6.40	4.13	9.65	1.77	2.89	6.44	1.42	0.40
KSYHM-100-60-078	34.80	21.34	13.43	16.93	8.98	8.86	2.30	6.40	4.33	9.65	1.77	3.98	7.52	1.42	0.40
KSYHM-100-65-078	34.80	21.34	13.43	16.93	8.98	8.86	2.30	6.40	4.53	9.65	1.77	2.89	6.44	1.42	0.40
KSYHM-100-70-078	34.80	21.34	13.43	16.93	8.98	8.86	2.30	6.40	4.72	9.65	1.77	3.98	7.52	1.42	0.40
KSYHM-100-75-078	34.80	21.34	13.43	16.93	8.98	8.86	2.30	6.40	4.92	9.65	1.77	2.89	6.44	1.42	0.40
KSYHM-100-85-078	34.80	21.34	13.43	16.93	8.98	8.86	2.30	6.40	5.31	9.65	1.77	3.98	7.52	1.42	0.40

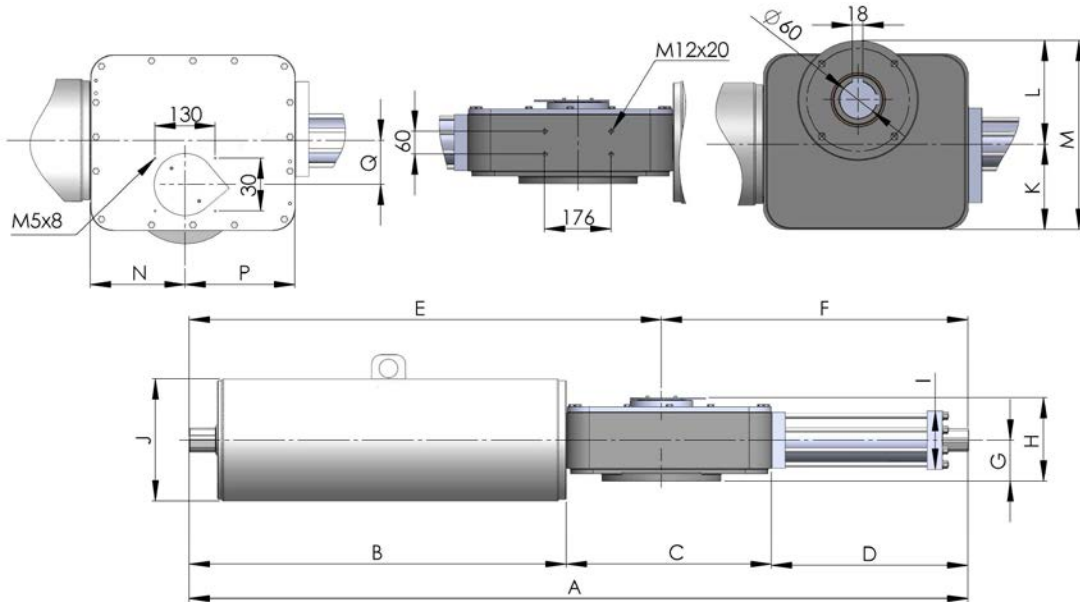
Actuator Size	ISO 5211	Hydraulic connections	Weight	Oil Volume
KSYHM-100-45-046	F10-F12	1/4" NPT	185	8.73
KSYHM-100-50-046	F10-F12	1/4" NPT	187	10.74
KSYHM-100-55-046	F10-F12	1/4" NPT	187	13.00
KSYHM-100-60-046	F10-F12	1/4" NPT	190	15.50
KSYHM-100-65-046	F10-F12	1/4" NPT	192	18.19
KSYHM-100-70-046	F10-F12	1/4" NPT	194	21.11
KSYHM-100-80-046	F10-F12	1/4" NPT	196	27.58
KSYHM-100-50-078	F10-F12	1/4" NPT	201	10.74
KSYHM-100-55-078	F10-F12	1/4" NPT	203	13.00
KSYHM-100-60-078	F10-F12	1/4" NPT	203	15.50
KSYHM-100-65-078	F10-F12	1/4" NPT	205	18.19
KSYHM-100-70-078	F10-F12	1/4" NPT	207	21.11
KSYHM-100-75-078	F10-F12	1/4" NPT	209	24.23
KSYHM-100-85-078	F10-F12	1/4" NPT	214	31.12

Notes:

1. All dimensions are in inches
2. All dimensions and weights are without mounting brackets
3. All weights are in pounds
4. Drawings are not scaled
5. Air volumes are in cubic inches



KSYHM-400 SCOTCH YOKE HYDRAULIC SPRING RETURN ACTUATOR



Actuator Size	A	B	C	D	E	F	G	H	I	J	K	L	M	N	P	Q
KSYHM-400-55-110	50.43	23.62	13.82	12.99	29.92	20.51	3.01	5.71	3.94	9.61	6.81	8.66	15.47	6.30	7.52	2.76
KSYHM-400-60-110	50.43	23.62	13.82	12.99	29.92	20.51	3.01	5.71	4.13	9.61	6.81	8.66	15.47	6.30	7.52	2.76
KSYHM-400-65-110	50.43	23.62	13.82	12.99	29.92	20.51	3.01	5.71	4.33	9.61	6.81	8.66	15.47	6.30	7.52	2.76
KSYHM-400-70-110	50.43	23.62	13.82	12.99	29.92	20.51	3.01	5.71	4.53	9.61	6.81	8.66	15.47	6.30	7.52	2.76
KSYHM-400-75-110	50.43	23.62	13.82	12.99	29.92	20.51	3.01	5.71	4.72	9.61	6.81	8.66	15.47	6.30	7.52	2.76
KSYHM-400-80-110	50.43	23.62	13.82	12.99	29.92	20.51	3.01	5.71	4.92	9.61	6.81	8.66	15.47	6.30	7.52	2.76
KSYHM-400-90-110	50.43	23.62	13.82	12.99	29.92	20.51	3.01	5.71	5.12	9.61	6.81	8.66	15.47	6.30	7.52	2.76
KSYHM-400-95-110	50.43	23.62	13.82	12.99	29.92	20.51	3.01	5.71	5.31	9.61	6.81	8.66	15.47	6.30	7.52	2.76
KSYHM-400-60-160	51.81	25.00	13.82	12.99	31.30	20.51	3.01	5.71	4.13	11.81	6.81	8.66	15.47	6.30	7.52	2.76
KSYHM-400-65-160	51.81	25.00	13.82	12.99	31.30	20.51	3.01	5.71	4.33	11.81	6.81	8.66	15.47	6.30	7.52	2.76
KSYHM-400-70-160	51.81	25.00	13.82	12.99	31.30	20.51	3.01	5.71	4.53	11.81	6.81	8.66	15.47	6.30	7.52	2.76
KSYHM-400-75-160	51.81	25.00	13.82	12.99	31.30	20.51	3.01	5.71	4.72	11.81	6.81	8.66	15.47	6.30	7.52	2.76
KSYHM-400-80-160	51.81	25.00	13.82	12.99	31.30	20.51	3.01	5.71	4.92	11.81	6.81	8.66	15.47	6.30	7.52	2.76
KSYHM-400-85-160	51.81	25.00	13.82	12.99	31.30	20.51	3.01	5.71	5.12	11.81	6.81	8.66	15.47	6.30	7.52	2.76
KSYHM-400-90-160	51.81	25.00	13.82	12.99	31.30	20.51	3.01	5.71	5.31	11.81	6.81	8.66	15.47	6.30	7.52	2.76
KSYHM-400-100-160	51.81	25.00	13.82	12.99	31.30	20.51	3.01	5.71	5.51	11.81	6.81	8.66	15.47	6.30	7.52	2.76

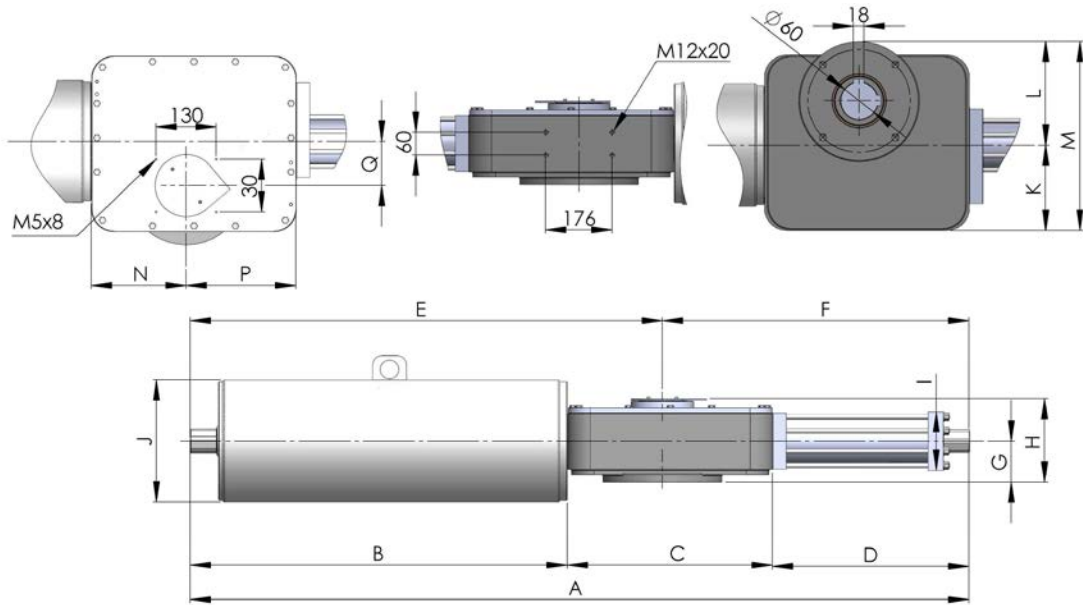
Actuator Size	ISO 5211	Hydraulic connections	Weight	Oil Volume
KSYHM-400-55-110	F16	1/4" NPT	421	20.26
KSYHM-400-60-110	F16	1/4" NPT	423	24.10
KSYHM-400-65-110	F16	1/4" NPT	425	28.32
KSYHM-400-70-110	F16	1/2" NPT	428	32.83
KSYHM-400-75-110	F16	1/2" NPT	428	37.71
KSYHM-400-80-110	F16	1/2" NPT	430	42.90
KSYHM-400-90-110	F16	1/2" NPT	434	54.31
KSYHM-400-95-110	F16	1/2" NPT	437	60.54
KSYHM-400-60-160	F16	1/4" NPT	445	24.10
KSYHM-400-65-160	F16	1/4" NPT	448	28.32
KSYHM-400-70-160	F16	1/2" NPT	450	32.83
KSYHM-400-75-160	F16	1/2" NPT	452	37.71
KSYHM-400-80-160	F16	1/2" NPT	454	42.90
KSYHM-400-85-160	F16	1/2" NPT	456	48.45
KSYHM-400-90-160	F16	1/2" NPT	459	54.31
KSYHM-400-100-160	F16	1/2" NPT	463	67.07

Notes:

1. All dimensions are in inches
2. All dimensions and weights are without mounting brackets
3. All weights are in pounds
4. Drawings are not scaled
5. Air volumes are in cubic inches



KSYHM-400 SCOTCH YOKE HYDRAULIC SPRING RETURN ACTUATOR



Actuator Size	A	B	C	D	E	F	G	H	I	J	K	L	M	N	P	Q
KSYHM-400-60-220	52.60	25.79	13.82	12.99	32.09	20.51	3.01	5.71	4.33	11.81	6.81	8.66	15.47	6.30	7.52	2.76
KSYHM-400-65-220	52.60	25.79	13.82	12.99	32.09	20.51	3.01	5.71	4.53	11.81	6.81	8.66	15.47	6.30	7.52	2.76
KSYHM-400-70-220	52.60	25.79	13.82	12.99	32.09	20.51	3.01	5.71	4.72	11.81	6.81	8.66	15.47	6.30	7.52	2.76
KSYHM-400-75-220	52.60	25.79	13.82	12.99	32.09	20.51	3.01	5.71	4.92	11.81	6.81	8.66	15.47	6.30	7.52	2.76
KSYHM-400-80-220	52.60	25.79	13.82	12.99	32.09	20.51	3.01	5.71	5.12	11.81	6.81	8.66	15.47	6.30	7.52	2.76
KSYHM-400-85-220	52.60	25.79	13.82	12.99	32.09	20.51	3.01	5.71	5.31	11.81	6.81	8.66	15.47	6.30	7.52	2.76
KSYHM-400-95-220	52.60	25.79	13.82	12.99	32.09	20.51	3.01	5.71	5.71	11.81	6.81	8.66	15.47	6.30	7.52	2.76
KSYHM-400-105-220	52.60	25.79	13.82	12.99	32.09	20.51	3.01	5.71	6.10	11.81	6.81	8.66	15.47	6.30	7.52	2.76

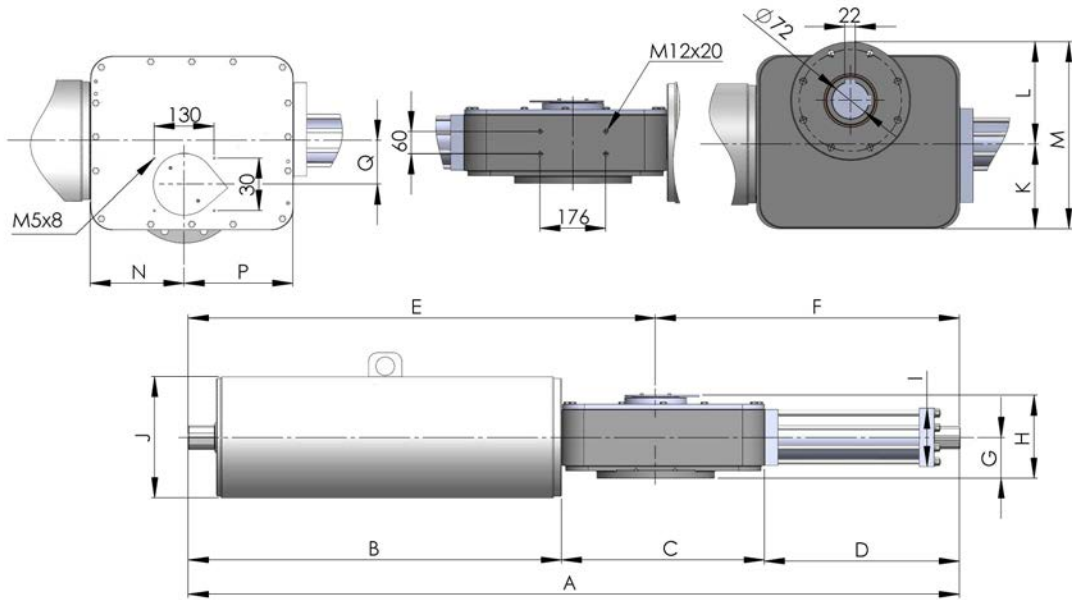
Actuator Size	ISO 5211	hydraulic connections	Weight	Oil Volume
KSYHM-400-60-220	F16	1/4" NPT	562	24.10
KSYHM-400-65-220	F16	1/4" NPT	564	28.32
KSYHM-400-70-220	F16	1/2" NPT	567	32.83
KSYHM-400-75-220	F16	1/2" NPT	569	37.71
KSYHM-400-80-220	F16	1/2" NPT	571	42.90
KSYHM-400-85-220	F16	1/2" NPT	573	48.45
KSYHM-400-95-220	F16	1/2" NPT	578	60.54
KSYHM-400-105-220	F16	1/2" NPT	582	73.96

Notes:

1. All dimensions are in inches
2. All dimensions and weights are without mounting brackets
3. All weights are in pounds
4. Drawings are not scaled
5. Air volumes are in cubic inches



KSYHM-900 SCOTCH YOKE HYDRAULIC SPRING RETURN ACTUATOR



Actuator Size	A	B	C	D	E	F	G	H	I	J	K	L	M	N	P	Q
KSYHM-900-70-140	58.82	27.72	16.54	14.57	35.39	23.43	3.19	6.38	3.94	9.61	7.32	8.58	15.91	7.68	8.86	3.54
KSYHM-900-75-140	58.82	27.72	16.54	14.57	35.39	23.43	3.19	6.38	4.13	9.61	7.32	8.58	15.91	7.68	8.86	3.54
KSYHM-900-80-140	58.82	27.72	16.54	14.57	35.39	23.43	3.19	6.38	4.33	9.61	7.32	8.58	15.91	7.68	8.86	3.54
KSYHM-900-85-140	58.82	27.72	16.54	14.57	35.39	23.43	3.19	6.38	4.53	9.61	7.32	8.58	15.91	7.68	8.86	3.54
KSYHM-900-90-140	58.82	27.72	16.54	14.57	35.39	23.43	3.19	6.38	4.72	9.61	7.32	8.58	15.91	7.68	8.86	3.54
KSYHM-900-100-140	58.82	27.72	16.54	14.57	35.39	23.43	3.19	6.38	4.92	9.61	7.32	8.58	15.91	7.68	8.86	3.54
KSYHM-900-110-140	58.82	27.72	16.54	14.57	35.39	23.43	3.19	6.38	5.12	9.61	7.32	8.58	15.91	7.68	8.86	3.54
KSYHM-900-120-140	58.82	27.72	16.54	14.57	35.39	23.43	3.19	6.38	5.51	9.61	7.32	8.58	15.91	7.68	8.86	3.54
KSYHM-900-75-200	60.20	29.09	16.54	14.57	36.77	23.43	3.19	6.38	4.33	11.81	7.32	8.58	15.91	7.68	8.86	3.54
KSYHM-900-80-200	60.20	29.09	16.54	14.57	36.77	23.43	3.19	6.38	4.53	11.81	7.32	8.58	15.91	7.68	8.86	3.54
KSYHM-900-85-200	60.20	29.09	16.54	14.57	36.77	23.43	3.19	6.38	4.72	11.81	7.32	8.58	15.91	7.68	8.86	3.54
KSYHM-900-90-200	60.20	29.09	16.54	14.57	36.77	23.43	3.19	6.38	4.92	11.81	7.32	8.58	15.91	7.68	8.86	3.54
KSYHM-900-95-200	60.20	29.09	16.54	14.57	36.77	23.43	3.19	6.38	5.12	11.81	7.32	8.58	15.91	7.68	8.86	3.54
KSYHM-900-100-200	60.20	29.09	16.54	14.57	36.77	23.43	3.19	6.38	5.31	11.81	7.32	8.58	15.91	7.68	8.86	3.54
KSYHM-900-110-200	60.20	29.09	16.54	14.57	36.77	23.43	3.19	6.38	5.51	11.81	7.32	8.58	15.91	7.68	8.86	3.54
KSYHM-900-125-200	60.20	29.09	16.54	14.57	36.77	23.43	3.19	6.38	5.91	11.81	7.32	8.58	15.91	7.68	8.86	3.54

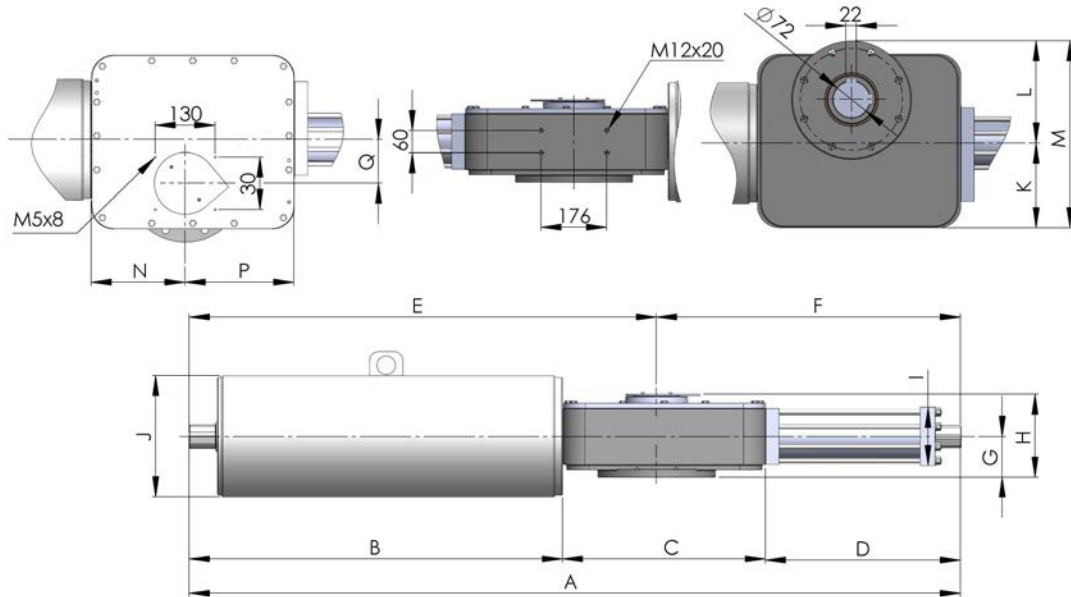
Actuator Size	ISO 5211	Hydraulic connections	Weight	Oil Volume
KSYHM-900-70-140	F25	1/2" NPT	509	42.23
KSYHM-900-75-140	F25	1/2" NPT	511	48.51
KSYHM-900-80-140	F25	1/2" NPT	514	55.17
KSYHM-900-85-140	F25	1/2" NPT	516	62.31
KSYHM-900-90-140	F25	1/2" NPT	518	69.87
KSYHM-900-100-140	F25	1/2" NPT	525	86.23
KSYHM-900-110-140	F25	1/2" NPT	531	104.35
KSYHM-900-120-140	F25	1/2" NPT	536	124.18
KSYHM-900-75-200	F25	1/2" NPT	531	48.51
KSYHM-900-80-200	F25	1/2" NPT	534	55.17
KSYHM-900-85-200	F25	1/2" NPT	536	62.31
KSYHM-900-90-200	F25	1/2" NPT	538	69.87
KSYHM-900-95-200	F25	1/2" NPT	542	77.81
KSYHM-900-100-200	F25	1/2" NPT	545	86.23
KSYHM-900-110-200	F25	1/2" NPT	549	104.35
KSYHM-900-125-200	F25	1/2" NPT	558	134.74

Notes:

1. All dimensions are in inches
2. All dimensions and weights are without mounting brackets
3. All weights are in pounds
4. Drawings are not scaled
5. Air volumes are in cubic inches



KSYHM-900 SCOTCH YOKE HYDRAULIC SPRING RETURN ACTUATOR



Actuator Size	A	B	C	D	E	F	G	H	I	J	K	L	M	N	P	Q
KSYHM-900-75-290	60.98	29.88	16.54	14.57	37.56	23.43	3.19	6.38	4.72	11.81	7.32	8.58	15.91	7.68	8.86	3.54
KSYHM-900-85-290	60.98	29.88	16.54	14.57	37.56	23.43	3.19	6.38	4.92	11.81	7.32	8.58	15.91	7.68	8.86	3.54
KSYHM-900-90-290	60.98	29.88	16.54	14.57	37.56	23.43	3.19	6.38	5.12	11.81	7.32	8.58	15.91	7.68	8.86	3.54
KSYHM-900-95-290	60.98	29.88	16.54	14.57	37.56	23.43	3.19	6.38	5.31	11.81	7.32	8.58	15.91	7.68	8.86	3.54
KSYHM-900-100-290	60.98	29.88	16.54	14.57	37.56	23.43	3.19	6.38	5.71	11.81	7.32	8.58	15.91	7.68	8.86	3.54
KSYHM-900-105-290	60.98	29.88	16.54	14.57	37.56	23.43	3.19	6.38	6.10	11.81	7.32	8.58	15.91	7.68	8.86	3.54
KSYHM-900-115-290	60.98	29.88	16.54	14.57	37.56	23.43	3.19	6.38	6.50	11.81	7.32	8.58	15.91	7.68	8.86	3.54
KSYHM-900-130-290	60.98	29.88	16.54	14.57	37.56	23.43	3.19	6.38	6.69	11.81	7.32	8.58	15.91	7.68	8.86	3.54
KSYHM-900-80-390	61.81	29.88	16.54	14.57	38.35	23.43	3.19	6.38	5.31	12.99	7.32	8.58	15.91	7.68	8.86	3.54
KSYHM-900-85-390	61.81	29.88	16.54	14.57	38.35	23.43	3.19	6.38	5.51	12.99	7.32	8.58	15.91	7.68	8.86	3.54
KSYHM-900-90-390	61.81	29.88	16.54	14.57	38.35	23.43	3.19	6.38	5.71	12.99	7.32	8.58	15.91	7.68	8.86	3.54
KSYHM-900-95-390	61.81	29.88	16.54	14.57	38.35	23.43	3.19	6.38	5.91	12.99	7.32	8.58	15.91	7.68	8.86	3.54
KSYHM-900-105-390	61.81	29.88	16.54	14.57	38.35	23.43	3.19	6.38	6.30	12.99	7.32	8.58	15.91	7.68	8.86	3.54
KSYHM-900-110-390	61.81	29.88	16.54	14.57	38.35	23.43	3.19	6.38	6.69	12.99	7.32	8.58	15.91	7.68	8.86	3.54
KSYHM-900-120-390	61.81	29.88	16.54	14.57	38.35	23.43	3.19	6.38	7.09	12.99	7.32	8.58	15.91	7.68	8.86	3.54
KSYHM-900-135-390	61.81	29.88	16.54	14.57	38.35	23.43	3.19	6.38	7.48	12.99	7.32	8.58	15.91	7.68	8.86	3.54

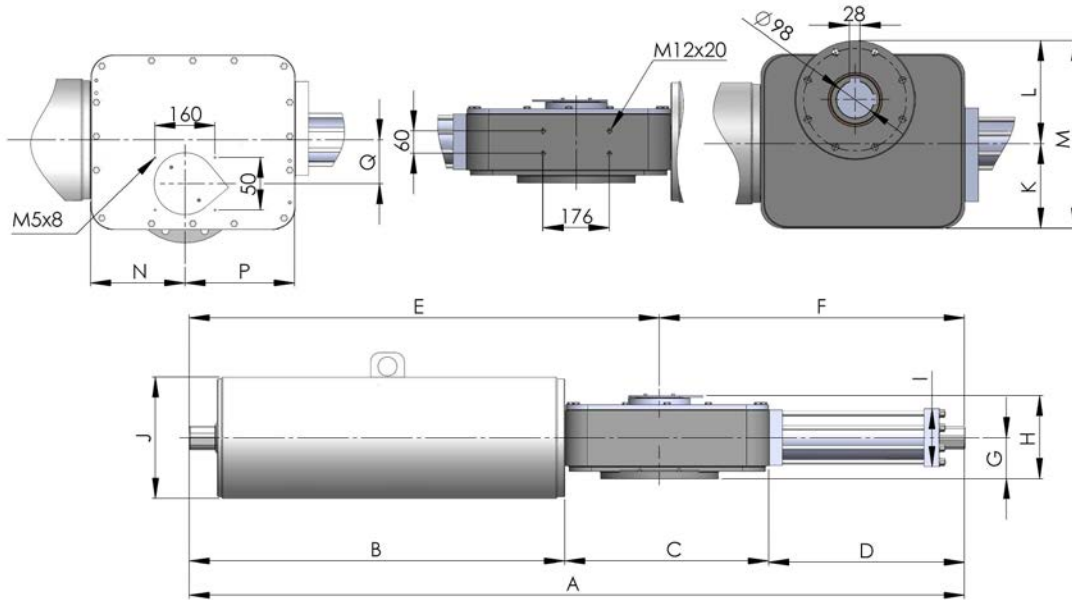
Actuator Size	ISO 5211	Hydraulic connections	Weight	Oil Volume
KSYHM-900-75-290	F25	1/2" NPT	509	42.23
KSYHM-900-85-290	F25	1/2" NPT	511	48.51
KSYHM-900-90-290	F25	1/2" NPT	514	55.17
KSYHM-900-95-290	F25	1/2" NPT	516	62.31
KSYHM-900-100-290	F25	1/2" NPT	518	69.87
KSYHM-900-105-290	F25	1/2" NPT	525	86.23
KSYHM-900-115-290	F25	1/2" NPT	531	104.35
KSYHM-900-130-290	F25	1/2" NPT	536	124.18
KSYHM-900-80-390	F25	1/2" NPT	531	48.51
KSYHM-900-85-390	F25	1/2" NPT	534	55.17
KSYHM-900-90-390	F25	1/2" NPT	536	62.31
KSYHM-900-95-390	F25	1/2" NPT	538	69.87
KSYHM-900-105-390	F25	1/2" NPT	542	77.81
KSYHM-900-110-390	F25	1/2" NPT	545	86.23
KSYHM-900-120-390	F25	1/2" NPT	549	104.35
KSYHM-900-135-390	F25	1/2" NPT	558	134.74

Notes:

1. All dimensions are in inches
2. All dimensions and weights are without mounting brackets
3. All weights are in pounds
4. Drawings are not scaled
5. Air volumes are in cubic inches



KSYHM-1600 SCOTCH YOKE HYDRAULIC SPRING RETURN ACTUATOR



Actuator Size	A	B	C	D	E	F	G	H	I	J	K	L	M	N	P	Q
KSYHM-1600-85-450	80.10	39.57	21.38	19.90	49.45	31.40	4.29	8.66	4.72	12.80	8.90	10.81	19.70	9.88	11.50	4.61
KSYHM-1600-90-450	80.10	39.57	21.38	19.90	49.45	31.40	4.29	8.66	4.92	12.80	8.90	10.81	19.70	9.88	11.50	4.61
KSYHM-1600-100-450	80.10	39.57	21.38	19.90	49.45	31.40	4.29	8.66	5.12	12.80	8.90	10.81	19.70	9.88	11.50	4.61
KSYHM-1600-105-450	80.10	39.57	21.38	19.90	49.45	31.40	4.29	8.66	5.31	12.80	8.90	10.81	19.70	9.88	11.50	4.61
KSYHM-1600-110-450	80.10	39.57	21.38	19.90	49.45	31.40	4.29	8.66	5.51	12.80	8.90	10.81	19.70	9.88	11.50	4.61
KSYHM-1600-120-450	80.10	39.57	21.38	19.90	49.45	31.40	4.29	8.66	5.91	12.80	8.90	10.81	19.70	9.88	11.50	4.61
KSYHM-1600-130-450	80.10	39.57	21.38	19.90	49.45	31.40	4.29	8.66	6.30	12.80	8.90	10.81	19.70	9.88	11.50	4.61
KSYHM-1600-150-450	80.10	39.57	21.38	19.90	49.45	31.40	4.29	8.66	6.50	12.80	8.90	10.81	19.70	9.88	11.50	4.61
KSYHM-1600-85-510	76.36	35.83	21.38	19.90	45.71	31.40	4.29	8.66	4.92	13.58	8.90	10.81	19.70	9.88	11.50	4.61
KSYHM-1600-95-510	76.36	35.83	21.38	19.90	45.71	31.40	4.29	8.66	5.12	13.58	8.90	10.81	19.70	9.88	11.50	4.61
KSYHM-1600-100-510	76.36	35.83	21.38	19.90	45.71	31.40	4.29	8.66	5.31	13.58	8.90	10.81	19.70	9.88	11.50	4.61
KSYHM-1600-105-510	76.36	35.83	21.38	19.90	45.71	31.40	4.29	8.66	5.51	13.58	8.90	10.81	19.70	9.88	11.50	4.61
KSYHM-1600-115-510	76.36	35.83	21.38	19.90	45.71	31.40	4.29	8.66	5.91	13.58	8.90	10.81	19.70	9.88	11.50	4.61
KSYHM-1600-125-510	76.36	35.83	21.38	19.90	45.71	31.40	4.29	8.66	6.30	13.58	8.90	10.81	19.70	9.88	11.50	4.61
KSYHM-1600-135-510	76.36	35.83	21.38	19.90	45.71	31.40	4.29	8.66	6.69	13.58	8.90	10.81	19.70	9.88	11.50	4.61
KSYHM-1600-150-510	76.36	35.83	21.38	19.90	45.71	31.40	4.29	8.66	7.09	13.58	8.90	10.81	19.70	9.88	11.50	4.61

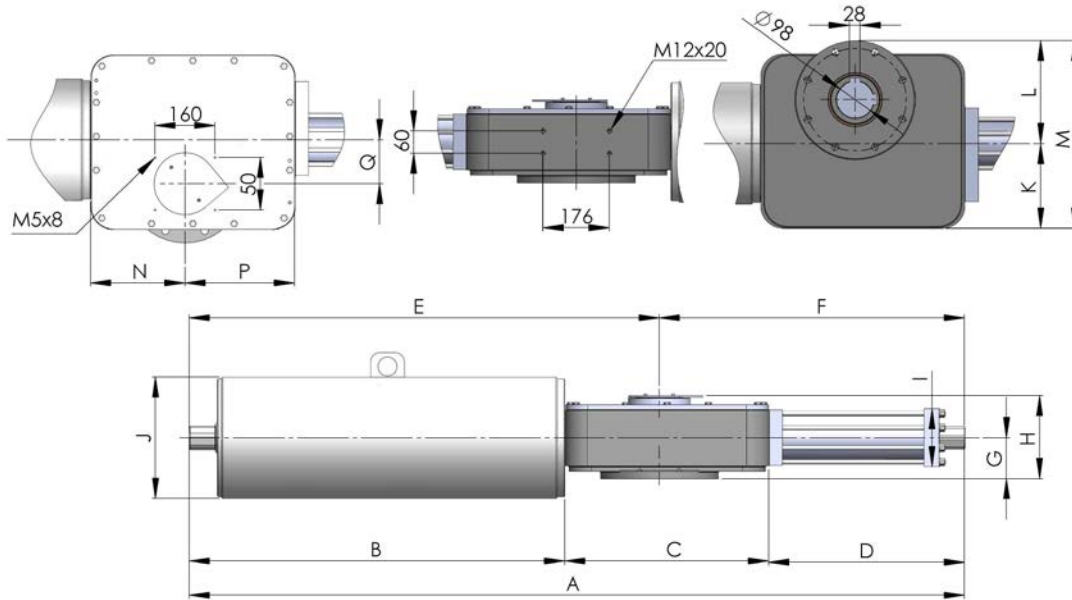
Actuator Size	ISO 5211	Hydraulic connections	Weight	Oil Volume
KSYHM-1600-85-450	F30	1/2" NPT	1133	80.98
KSYHM-1600-90-450	F30	1/2" NPT	474	90.80
KSYHM-1600-100-450	F30	1/2" NPT	478	112.10
KSYHM-1600-105-450	F30	1/2" NPT	481	123.63
KSYHM-1600-110-450	F30	1/2" NPT	485	135.66
KSYHM-1600-120-450	F30	3/4" NPT	492	161.47
KSYHM-1600-130-450	F30	3/4" NPT	498	189.48
KSYHM-1600-150-450	F30	3/4" NPT	509	252.33
KSYHM-1600-85-510	F30	1/2" NPT	1248	80.98
KSYHM-1600-95-510	F30	1/2" NPT	1252	101.18
KSYHM-1600-100-510	F30	1/2" NPT	1254	112.10
KSYHM-1600-105-510	F30	1/2" NPT	1259	123.63
KSYHM-1600-115-510	F30	1/2" NPT	1263	148.29
KSYHM-1600-125-510	F30	3/4" NPT	1270	175.20
KSYHM-1600-135-510	F30	3/4" NPT	1274	204.37
KSYHM-1600-150-510	F30	3/4" NPT	1283	252.33

Notes:

1. All dimensions are in inches
2. All dimensions and weights are without mounting brackets
3. All weights are in pounds
4. Drawings are not scaled
5. Air volumes are in cubic inches



KSYHM-1600 SCOTCH YOKE HYDRAULIC SPRING RETURN ACTUATOR



Actuator Size	A	B	C	D	E	F	G	H	I	J	K	L	M	N	P	Q
KSYHM-1600-90-650	69.69	36.81	21.38	19.90	38.29	31.40	4.29	8.66	5.51	13.58	8.90	10.81	19.70	9.88	11.50	4.61
KSYHM-1600-95-650	69.69	36.81	21.38	19.90	38.29	31.40	4.29	8.66	5.71	13.58	8.90	10.81	19.70	9.88	11.50	4.61
KSYHM-1600-100-650	69.69	36.81	21.38	19.90	38.29	31.40	4.29	8.66	5.91	13.58	8.90	10.81	19.70	9.88	11.50	4.61
KSYHM-1600-110-650	69.69	36.81	21.38	19.90	38.29	31.40	4.29	8.66	6.30	13.58	8.90	10.81	19.70	9.88	11.50	4.61
KSYHM-1600-115-650	69.69	36.81	21.38	19.90	38.29	31.40	4.29	8.66	6.50	13.58	8.90	10.81	19.70	9.88	11.50	4.61
KSYHM-1600-125-650	69.69	36.81	21.38	19.90	38.29	31.40	4.29	8.66	6.89	13.58	8.90	10.81	19.70	9.88	11.50	4.61
KSYHM-1600-135-650	69.69	36.81	21.38	19.90	38.29	31.40	4.29	8.66	7.28	13.58	8.90	10.81	19.70	9.88	11.50	4.61
KSYHM-1600-150-650	69.69	36.81	21.38	19.90	38.29	31.40	4.29	8.66	7.87	13.58	8.90	10.81	19.70	9.88	11.50	4.61

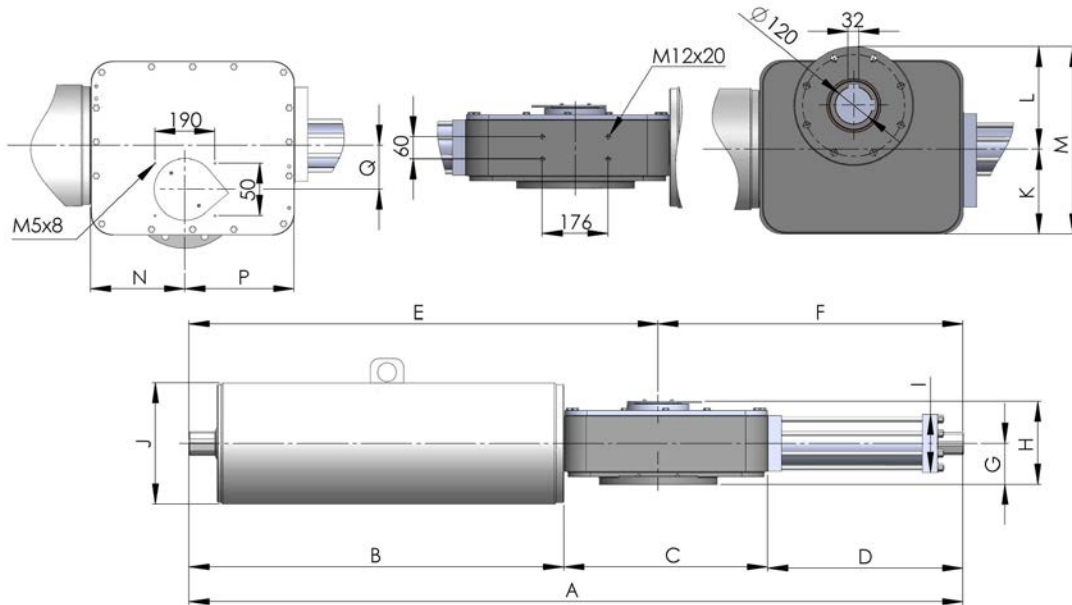
Actuator Size	ISO 5211	Hydraulic connections	Weight	Oil Volume
KSYHM-1600-90-650	F30	1/2" NPT	1413	90.80
KSYHM-1600-95-650	F30	1/2" NPT	1415	101.18
KSYHM-1600-100-650	F30	1/2" NPT	1418	112.10
KSYHM-1600-110-650	F30	1/2" NPT	1424	135.66
KSYHM-1600-115-650	F30	3/4" NPT	1426	148.29
KSYHM-1600-125-650	F30	3/4" NPT	1431	175.20
KSYHM-1600-135-650	F30	3/4" NPT	1440	204.37
KSYHM-1600-150-650	F30	3/4" NPT	1448	252.33

Notes:

1. All dimensions are in inches
2. All dimensions and weights are without mounting brackets
3. All weights are in pounds
4. Drawings are not scaled
5. Air volumes are in cubic inches



KSYHM-3500 SCOTCH YOKE HYDRAULIC SPRING RETURN ACTUATOR



Actuator Size	A	B	C	D	E	F	G	H	I	J	K	L	M	N	P	Q
KSYHM-3500-110-610	84.67	42.52	22.44	20.12	52.40	32.26	4.29	8.66	4.92	13.58	8.92	13.68	22.60	10.30	12.15	5.51
KSYHM-3500-120-610	84.67	42.52	22.44	20.12	52.40	32.26	4.29	8.66	5.12	13.58	8.92	13.68	22.60	10.30	12.15	5.51
KSYHM-3500-125-610	84.67	42.52	22.44	20.12	52.40	32.26	4.29	8.66	5.31	13.58	8.92	13.68	22.60	10.30	12.15	5.51
KSYHM-3500-135-610	84.67	42.52	22.44	20.12	52.40	32.26	4.29	8.66	5.51	13.58	8.92	13.68	22.60	10.30	12.15	5.51
KSYHM-3500-145-610	84.67	42.52	22.44	20.12	52.40	32.26	4.29	8.66	5.91	13.58	8.92	13.68	22.60	10.30	12.15	5.51
KSYHM-3500-155-610	84.67	42.52	22.44	20.12	52.40	32.26	4.29	8.66	6.30	13.58	8.92	13.68	22.60	10.30	12.15	5.51
KSYHM-3500-170-610	84.67	42.52	22.44	20.12	52.40	32.26	4.29	8.66	6.69	13.58	8.92	13.68	22.60	10.30	12.15	5.51
KSYHM-3500-190-610	84.67	42.52	22.44	20.12	52.40	32.26	4.29	8.66	6.89	13.58	8.92	13.68	22.60	10.30	12.15	5.51
KSYHM-3500-110-782	90.59	48.03	22.44	20.12	58.33	32.26	4.29	8.66	5.31	17.52	8.92	13.68	22.60	10.30	12.15	5.51
KSYHM-3500-125-782	90.59	48.03	22.44	20.12	58.33	32.26	4.29	8.66	5.51	17.52	8.92	13.68	22.60	10.30	12.15	5.51
KSYHM-3500-130-782	90.59	48.03	22.44	20.12	58.33	32.26	4.29	8.66	5.71	17.52	8.92	13.68	22.60	10.30	12.15	5.51
KSYHM-3500-140-782	90.59	48.03	22.44	20.12	58.33	32.26	4.29	8.66	5.91	17.52	8.92	13.68	22.60	10.30	12.15	5.51
KSYHM-3500-145-782	90.59	48.03	22.44	20.12	58.33	32.26	4.29	8.66	6.10	17.52	8.92	13.68	22.60	10.30	12.15	5.51
KSYHM-3500-160-782	90.59	48.03	22.44	20.12	58.33	32.26	4.29	8.66	6.69	17.52	8.92	13.68	22.60	10.30	12.15	5.51
KSYHM-3500-175-782	90.59	48.03	22.44	20.12	58.33	32.26	4.29	8.66	7.48	17.52	8.92	13.68	22.60	10.30	12.15	5.51
KSYHM-3500-195-782	90.59	48.03	22.44	20.12	58.33	32.26	4.29	8.66	7.87	17.52	8.92	13.68	22.60	10.30	12.15	5.51

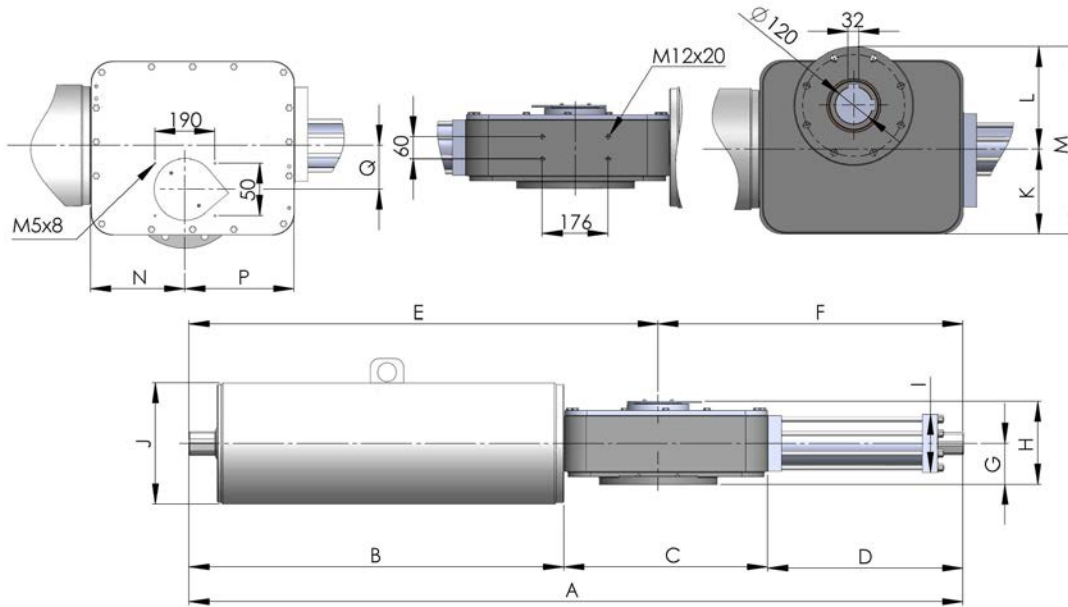
Actuator Size	ISO 5211	hydraulic connections	Weight	Oil Volume
KSYHM-3500-110-610	F30	1/2" NPT	1731	162.32
KSYHM-3500-120-610	F30	3/4" NPT	1737	193.20
KSYHM-3500-125-610	F30	3/4" NPT	1742	209.68
KSYHM-3500-135-610	F30	3/4" NPT	1748	244.52
KSYHM-3500-145-610	F30	3/4" NPT	1753	282.11
KSYHM-3500-155-610	F30	3/4" NPT	1757	322.39
KSYHM-3500-170-610	F30	3/4" NPT	1768	387.81
KSYHM-3500-190-610	F30	3/4" NPT	1775	484.41
KSYHM-3500-110-782	F30	1/2" NPT	1834	162.32
KSYHM-3500-125-782	F30	3/4" NPT	1841	209.68
KSYHM-3500-130-782	F30	3/4" NPT	1843	226.76
KSYHM-3500-140-782	F30	3/4" NPT	1847	263.01
KSYHM-3500-145-782	F30	3/4" NPT	1852	282.11
KSYHM-3500-160-782	F30	3/4" NPT	1863	343.50
KSYHM-3500-175-782	F30	3/4" NPT	1872	410.93
KSYHM-3500-195-782	F30	3/4" NPT	1885	510.28

Notes:

1. All dimensions are in inches
2. All dimensions and weights are without mounting brackets
3. All weights are in pounds
4. Drawings are not scaled
5. Air volumes are in cubic inches



KSYHM-3500 SCOTCH YOKE HYDRAULIC SPRING RETURN ACTUATOR



Actuator Size	A	B	C	D	E	F	G	H	I	J	K	L	M	N	P	Q
KSYHM-3500-115-1057	94.33	48.03	22.44	20.12	62.07	32.26	4.29	8.66	5.91	17.52	8.92	13.68	22.60	10.30	12.15	5.51
KSYHM-3500-125-1057	94.33	48.03	22.44	20.12	62.07	32.26	4.29	8.66	6.10	17.52	8.92	13.68	22.60	10.30	12.15	5.51
KSYHM-3500-135-1057	94.33	48.03	22.44	20.12	62.07	32.26	4.29	8.66	6.50	17.52	8.92	13.68	22.60	10.30	12.15	5.51
KSYHM-3500-140-1057	94.33	48.03	22.44	20.12	62.07	32.26	4.29	8.66	6.69	17.52	8.92	13.68	22.60	10.30	12.15	5.51
KSYHM-3500-150-1057	94.33	48.03	22.44	20.12	62.07	32.26	4.29	8.66	7.09	17.52	8.92	13.68	22.60	10.30	12.15	5.51
KSYHM-3500-165-1057	94.33	48.03	22.44	20.12	62.07	32.26	4.29	8.66	7.48	17.52	8.92	13.68	22.60	10.30	12.15	5.51
KSYHM-3500-180-1057	94.33	48.03	22.44	20.12	62.07	32.26	4.29	8.66	8.27	17.52	8.92	13.68	22.60	10.30	12.15	5.51
KSYHM-3500-200-1057	94.33	48.03	22.44	20.12	62.07	32.26	4.29	8.66	8.66	17.52	8.92	13.68	22.60	10.30	12.15	5.51

Actuator Size	ISO 5211	Hydraulic connections	Weight	Oil Volume
KSYHM-3500-115-1057	F30	3/4" NPT	2209	177.46
KSYHM-3500-125-1057	F30	3/4" NPT	2218	209.68
KSYHM-3500-135-1057	F30	3/4" NPT	2227	244.52
KSYHM-3500-140-1057	F30	3/4" NPT	2231	263.01
KSYHM-3500-150-1057	F30	3/4" NPT	2238	301.95
KSYHM-3500-165-1057	F30	3/4" NPT	2249	365.35
KSYHM-3500-180-1057	F30	3/4" NPT	2264	434.79
KSYHM-3500-200-1057	F30	3/4" NPT	2277	536.76

Notes:

1. All dimensions are in inches
2. All dimensions and weights are without mounting brackets
3. All weights are in pounds
4. Drawings are not scaled
5. Air volumes are in cubic inches