



EW SERIES ELECTRIC ACTUATORS

EW 180

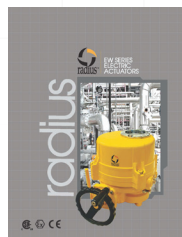
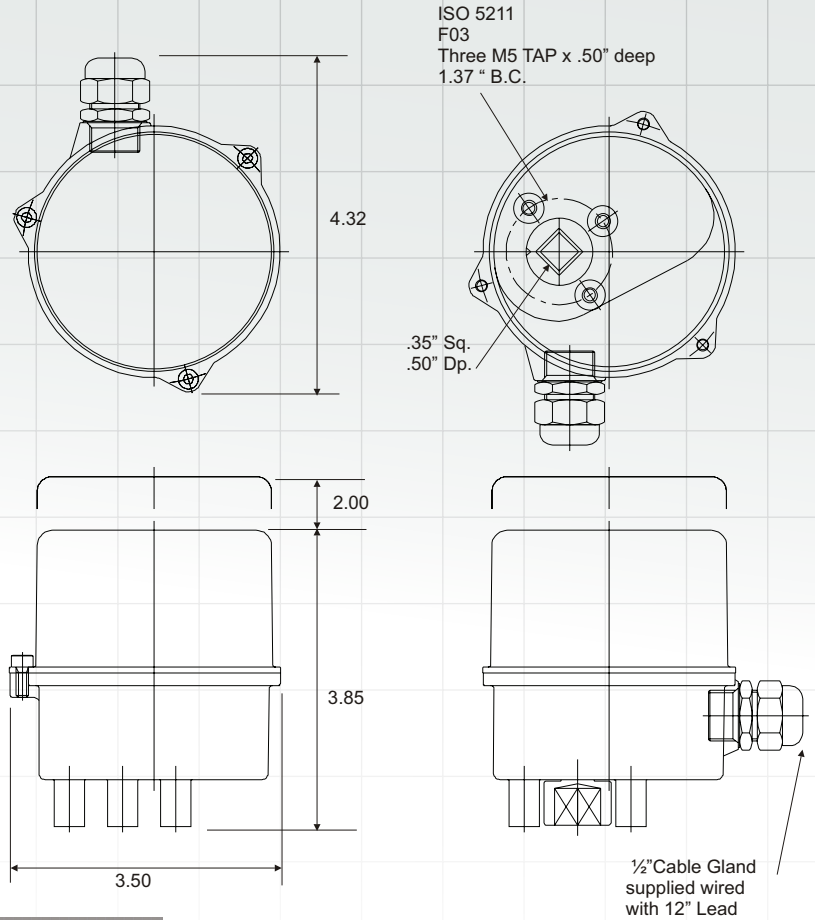
Radius L.L.C.
4922 Technical Drive
Milford MI 48381
Phone: 248.685.0773
Fax: 248.685.0740
www.radius-eng.com



The Series EW180 actuator is the smallest in a series of anodized aluminum industrial actuators. Compact and lightweight in design makes this the perfect choice for small ball valves. The ISO 5211 mounting arrangement makes it easy to mount to valves that accept this design and eliminate costly brackets and couplings. The unit comes pre-wired from the factory with 12" cable lead. The actuator can operate on both 120 and 220VAC and is available in 24VDC. The aluminum housing is polyester coated for corrosion resistance.

TECHNICAL INFORMATION

Rated Torque (in. lbs.)	180
Duty Cycle	S2: 50%
Operating Speed (in. / sec) (VAC)	
50 Hz	11
60 Hz	11
Rated Current (A)	
1 Phase / 110 V / 50 Hz	0.16
60 Hz	0.16
1 Phase / 220 V / 50 Hz	0.08
60 Hz	0.08
3 Phase / 380 V / 50 Hz	N/A
60 Hz	N/A
3 Phase / 440 V / 50 Hz	N/A
60 Hz	N/A
AC / DC 24 V	0.60 (AC) 0.55 (DC)
Insulation Class	
	E
Weight (lbs.)	
	2.2
Enclosure	
	IP66, O-ring sealed
Motor	
	DC Motor
Limit Switch	
	2 each for Open & Close (two auxiliary limit switches optional)
Mounting	
	ISO F03, 11 x 11 - DP12 Square female shaft with insert 9x9mm
Travel Angle	
	90° ± 5°
Cable Entries	
	1 - PG11 Cable gland with wires 30cm long
Surface protection	
	Polyester coating
Ambient temperature	
	14 °F ~ +149 °F



Part of a full line of
industrial electric actuators.

