



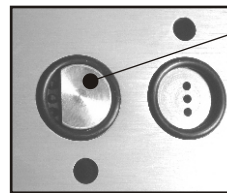
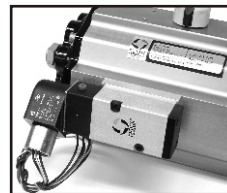
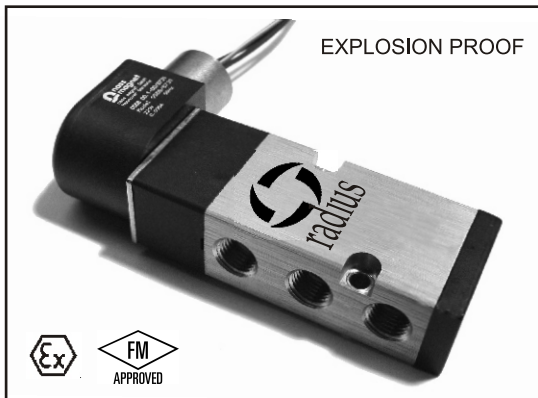
NAMUR 5/2 • 3/2 Solenoid Valve

SERIES NM

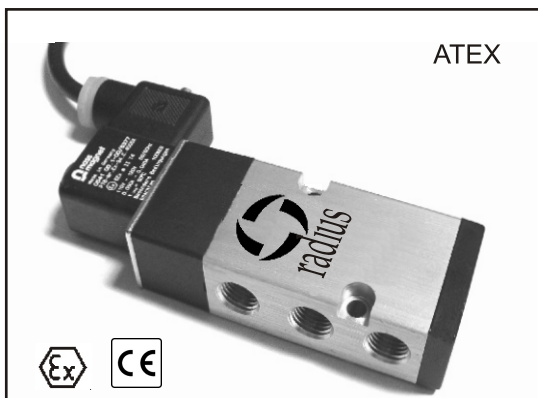


Combination 3 way/ 4 way 3/2 • 5/2 solenoid valve that directly mounts to all NAMUR interface actuators. Standard features include a manual override, safety position by mechanical spring. Pilots both spring return and double acting actuators.

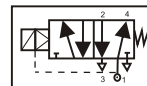
Pressure range: 20-120 psi
Media Temperature:
-20-140 degrees f
Optional to -40 degrees f
Body: Extruded aluminum
Seal: BUNA N
Cv 1.4



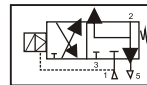
Specially designed brass directional plate easily converts the valve to either a five ported four way or a three ported three way valve.



Function



5/2 configuration for double-acting actuators. De-energized state, with supply to port 1, flow is directed to port 4 and port 2 is vented to atmosphere via port 3.



3/2 configuration for spring return actuators. De-energized state, with port 3 sealed, supply port is blocked and port 2 exhaust is fed back to port 4 with excess vented to atmosphere via port 5.

SERIES NM

PART NUMBER	NM	STD	110	AC	-	0	0	0	0
SYSTEM									
series	RADIUS Series NM NAMUR mount, combination 5/2 and 3/2 pilot valve (By adjustable gasket)								
type	STD = standard (CSA) ATX = ATEX EXP = explosion proof (FM) ISF = intrinsically safe OTH = other NCL = no coil								connections
voltage	012 024 048 110 230 OTH NON								0 = NPT 1 = metric
current	AC DC NA								LED
									0 = none 1 = LED
									muffler
									0 = none 1 = muffler
									speed control
									0 = none 1 = speed controls 2 = Speed control block (Standard on FM units)

STANDARD VERSION (CSA app.)

Electrical:	
Voltage (+/-10%):	24VDC 120VAC @ 60Hz 240VAC @ 60Hz 110VAC @50Hz 230VAC @50Hz
OTHER COIL VOLTAGES AVAILABLE UPON REQUEST.	
Power consumption:	DC 4.8W AC @60Hz 6.9VA AC @50Hz 8.5VA
Duty cycle:	100% continuous service
Insulation class:	F
Connection:	1/2" NPT conduit entry
Protection class:	IP65 NEMA types 1,2,3, 3S,4 and 4X.
Connector:	
Standard:	DIN industrial form, suitable for all voltages up to 250V AC/DC.
Optional:	LED AC/DC 24V LED AC/DC 110V LED AC/DC 230V
OTHER CONNECTOR OPTIONS AVAILABLE UPON REQUEST.	

EXPLOSION PROOF VERSION North American Version

Electrical:	
Voltage (+/-10%):	24VDC 120VAC @ 60Hz 240VAC @ 60Hz 110VAC @50Hz 230VAC @50Hz
OTHER COIL VOLTAGES AVAILABLE UPON REQUEST.	
Power consumption:	DC 4.8W AC @60Hz 6.9VA AC @50Hz 8.5VA
Duty cycle:	100% continuous service
Insulation class:	H
Connection:	1/2" NPT conduit
Protection class:	IP65 NEMA types 1,2,3, 3S,4,4X, 7,8 and 9.
Approvals:	CSA, FM and NEC
Hazardous Locations:	<ul style="list-style-type: none"> Ex m II T4 and Division 1 Class I, Group A,B,C and D Class II, Group E,F and G Class III Tested according to CAN/CSA-E79-0-95 and CAN/CSA-E79-18-95 for CSA, according to ANSI/ISA-S12.00.01-1999 and ANSI/ISA-S12.23.01-1998 for FM

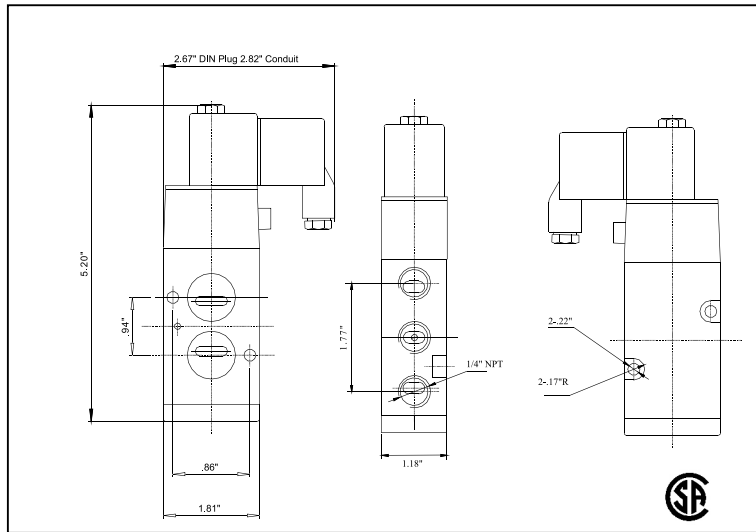
ATEX VERSION European Explosion Proof

Electrical:	
Voltage (+/-10%):	12 and 24VDC 110VAC 50/60Hz 230VAC 50/60Hz
OTHER COIL VOLTAGES AVAILABLE UPON REQUEST.	
Power consumption:	Temp Class T4, 24VDC, Rated power 5.2W
	Temp Class T5, 110V 50/60Hz, Rated power 3.0VA
	Temp Class T6, 220V 50/60Hz, Rated power 2.5VA
Duty cycle:	100% continuous service
Insulation class:	F
Connection:	Encapsulated Coil and Connector, with Cable
Protection class:	IP65
Approvals:	PTB ATEX
Hazardous Locations:	<ul style="list-style-type: none"> II 2G EEx m II T6, T5 or T4 approved IEC Ex m II T6, T5 or T4 approved Coils are approved according to EN 50 014:1997 +A1+A2 and EN50028:1987 by the Physikalisch-Technischen Bundesanstalt (PTB).

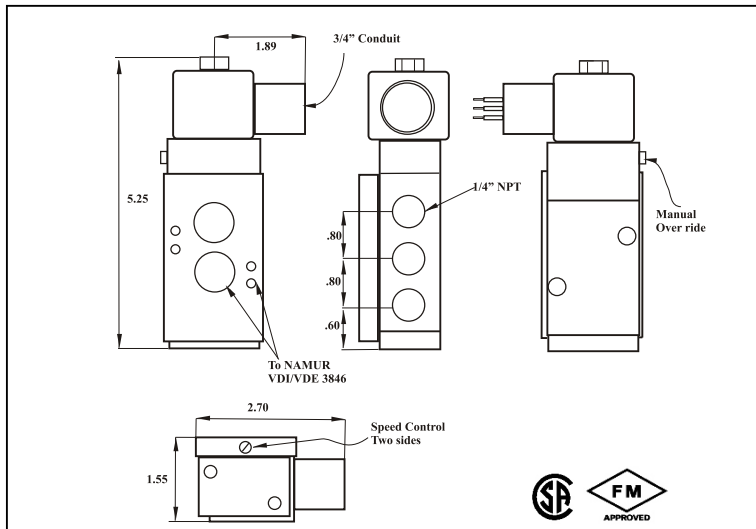
Intrinsically Safe Version also Available

Dimensions

Standard



Explosion Proof



ATEX

