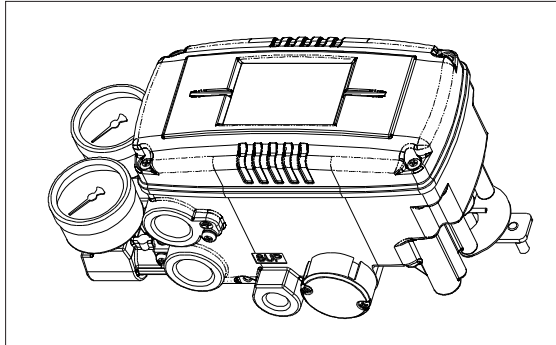




# Radius Rotary Smart Positioner RX-2500 with Optional Fail Freeze Function



## Features

RX-2500 Smart Positioner accurately controls a valves position, according to an input signal of 4-20mA delivered from a controller

- LCD Display
- Auto Calibration
- Fail Freeze Function (optional)
- Position Transmitter (PTM) (optional)
- PID Control
- Near Zero Air Consumption Level
- 4 Buttons for Local Control
- Limit Switches (LS) (optional)
- HART communication (optional)

## Product Specifications

- Input Signal: 4-20mA DC
- Supply Pressure: 20~100 PSI
- Stroke: 10~150mm
- Impedance: Max. 460Ω / 20mA DC
- Air Connection: PT (NPT) 1/4
- Gauge Connection: PT (NPT) 1/8
- Conduit: PF 1/2 (G1/2)
- Repeatability: ±0.3 F.S.
- Ambient Temp.
- Operating Temp: -22~176°F
- Explosion Temp: -40~140°F(T5) / -40~104°F(T6)
- Linearity: ±0.5% F.S.
- Hysteresis: ±0.5% F.S.
- Sensitivity: ±0.2% F.S.
- Air Consumption: 0.00035 scfm
- Flow Capacity: 2.3 scfm
- Output Characteristics: Linear, EQ%, Quick Open user set (16 Point)
- Material: Aluminum Diecasting
- Weight: 3.3 lbs.

## Certifications

- Ex ia IIC T6/T5
- SIL - SIL2
- IP66
- CE

