



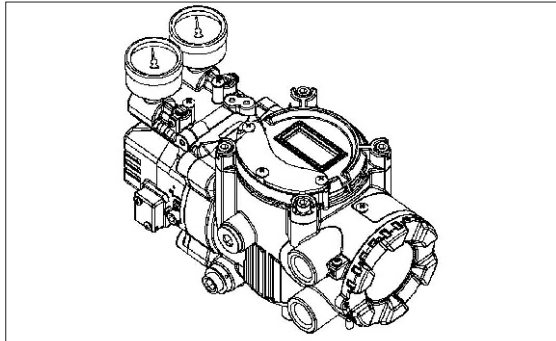
Radius Rotary Smart Positioner RX-3400 with Flameproof Function



Features

RX-3400 Smart Positioner accurately controls valves position, according to an input signal of 4-20mA delivered from a controller

- LCD Display
- Auto Calibration
- Feedback Signal
- Auto/Manual Switch
- PID Control
- 4 Buttons for Local Control
- Limit Switches (optional)
- HART communication



Product Specifications

Input Signal: 4-20mA DC
Supply Pressure: 20~100 PSI
Stroke: 10~150mm
Impedance: Max. 500Ω / 20mA DC

Air Connection: PT (NPT) 1/4
Gauge Connection: PT (NPT) 1/8
Conduit: PF 1/2 (G1/2)
Repeatability: ±0.3 F.S.
Ambient Temp.
Operating Temp: -22~185°F
Explosion Temp: -40~185°F(T5) / -40~158°F(T6)
Linearity: ±0.5% F.S.
Hysteresis: ±0.5% F.S.
Sensitivity: ±0.2% F.S.
Air Consumption: Below 0.07 scfm
Flow Capacity: 2.47 scfm
Output Characteristics: Linear, EQ%, Quick Open user set (16 Point)
Material: Aluminum Diecasting
Weight: 7.5 lbs.

Certifications

- Ex d IIC T6/T5
- IP66

