



RX-1000 Electro-Pneumatic Rotary Positioner and RX-500 Pneumatic Rotary Positioner

RX-1000 Electro-Pneumatic Rotary Positioner



Product Specifications:

Input: 4-20ma
Impedance: 250 ohm
Supply: 20 -120 psi
Operating Temp: -20 -160°F
Linearity: $\pm 2\%$
Hysteresis: 1% F.S.
Repeatability $\pm 5\%$
Air Consumption: .10 scfm
Weight: 6.2 lb
Flow Capacity: 28 scfm

Connections, air: 1/4" gauge:
1/8" npt
Signal: 1/2" conduit
Explosion Proof Approval:
Exia II Bt6, Exdm II Bt6
Enclosure IP66

Options:

RX-1000-2LS includes two spdt mechanical limit switches.
Rx-1000-2TLS includes two spdt mechanical limit switches and 4-20ma position transmitter.
Both options come complete with high visibility dome indicator.

RX-500 Pneumatic Rotary Positioner



Product Specifications:

Input 3-15 psi
Supply: 20 -120 psi
Operating Temp: -20 -160°F
Linearity: $\pm 2\%$
Hysteresis: 1% F.S.
Repeatability $\pm 5\%$
Air Consumption: .10 scfm
Weight: 3.7 lb
Flow Capacity: 28 scfm

Connections, air: 1/4" gauge:
1/8" npt
Enclosure IP66

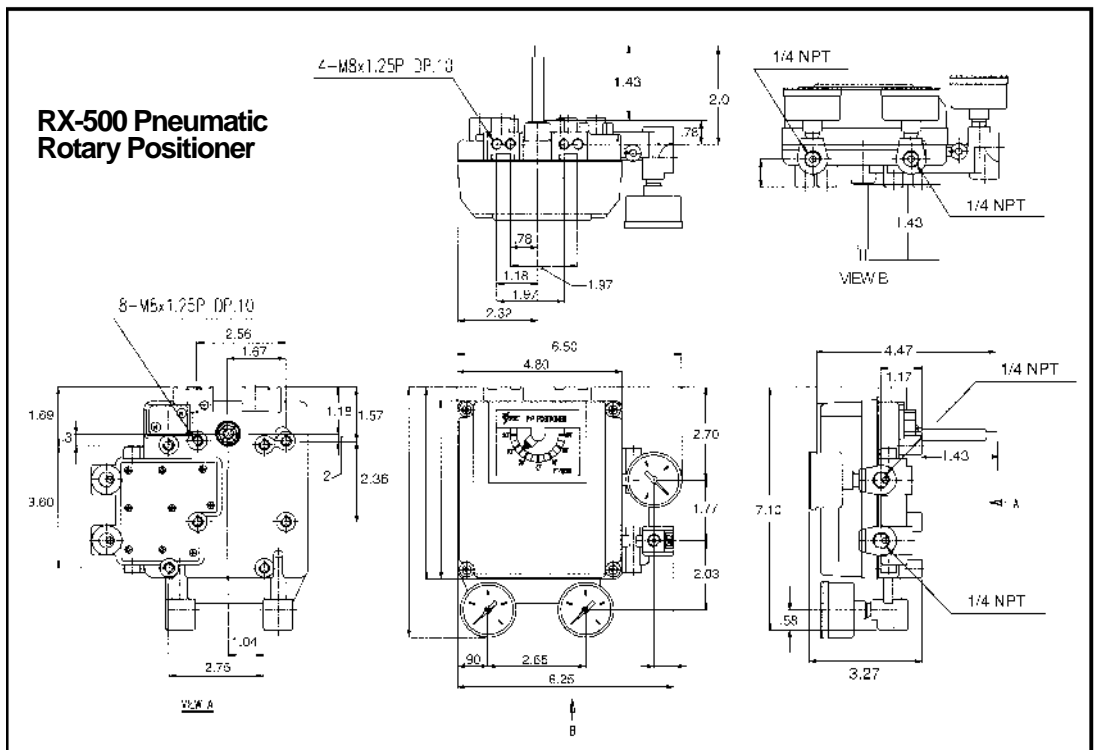
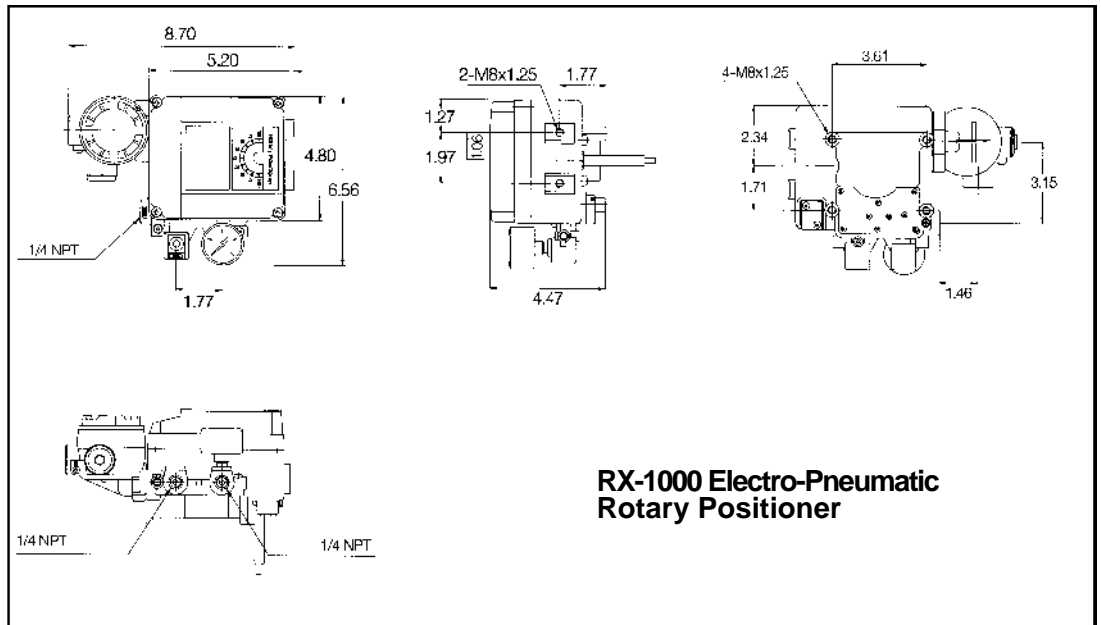
Radius LLC
4922 Technical Drive
Milford, MI 48381
248-685-0773

www.radius-eng.com

Product Bulletin RX-001



RX-500 and RX-1000 Rotary Positioners



Radius LLC
4922 Technical Drive
Milford, MI 48381
248-685-0773

www.radius-eng.com

Product Bulletin RX-001

All dimensions are accurate at time of publication, subject to change without notice.